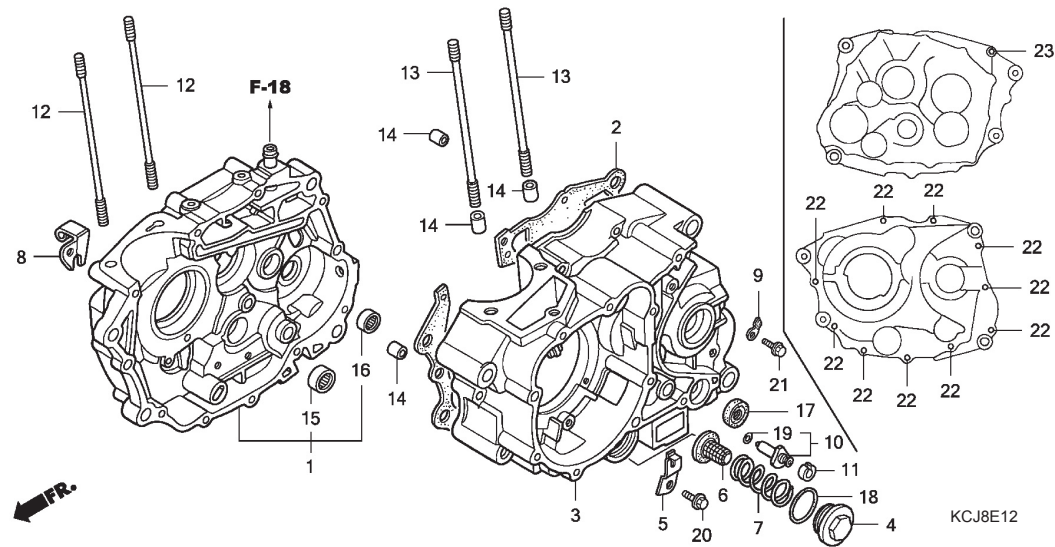


E - 12 Crankcase



Bagian yang diservice	F.R.T.	Nomor Petunjuk	Nomor Part	Uraian Part	Jumlah	Nomor Serie	Catatan
CRANKCASE :RIGHT	4.8	1	11100-KCJ-711	CRANKCASE COMP., R.	1		
CRANKCASE :BOTH	5.4	2	11191-KCN-000	GASKET, CRANKCASE	1		
GASKET, CRANKCASE	4.3	3	11200-KCJ-711	CRANKCASE COMP., L.	1		
CRANKCASE :LEFT	4.9	4	12361-383-000	CAP, TAPPET ADJUSTING HOLE	1		
CRANKCASE :BOTH	5.4	5	14513-KBB-900	PLATE, CAM CHAIN SETTING	1		
SCREEN, OIL FILTER	0.1						
SWITCH, NEUTRAL	0.2	6	15421-107-000	SCREEN, OIL FILTER	1		
BEARING, GEARSHIFT DRUM : RIGHT	4.5	7	15426-107-000	SPRING, OIL FILTER SCREEN	1		
BEARING, COUNTERSHAFT : RIGHT	4.5	8	22838-437-000	HOLDER, CLUTCH WIRE	1		
BEARING, COUNTERSHAFT : BOTH	4.7	9	32976-KCT-690	CLAMPER, WIRE HARNESS	1		
BEARING, MAINSHAFT AND COUNTERSHAFT :ALL	4.9	10	35750-GS3-003	CONTACT, NEUTRAL SWITCH	1		
		11	35752-KCT-690	SPACER, NEUTRAL SWITCH	1		
		12	90031-KN6-930	BOLT A, CYLINDER STUD	2		
		13	90032-KN6-930	BOLT B, CYLINDER STUD	2		
		14	90703-HC4-000	DOWEL PIN, 10X14	4		
		15	91008-KCN-003	BEARING, NEEDLE, 21MM	1		
		16	91106-KB4-003	BEARING, NEEDLE, 15MM	1		
		17	91206-KCS-920	OIL SEAL, 14X28X7	1		
		18	91303-KK3-830	O-RING, 35X3 (ARAI)	1		
		19	91312-107-000	O-RING, 7X1.7	1		
		20	95701-06012-08	BOLT, FLANGE, 6X12	1		
		21	96001-06014-00	BOLT, FLANGE, 6X14	1		
		22	96001-06050-00	BOLT, FLANGE, 6X50	10		
		23	96001-06060-00	BOLT, FLANGE, 6X60	1		