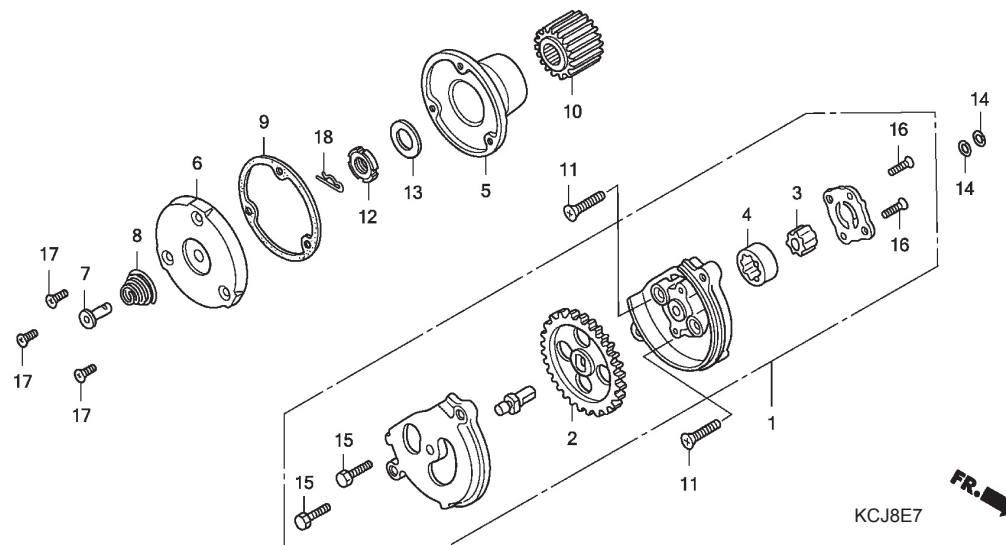


E - 7

Oil Pump



KCJ8E7



Bagian yang diservice	F.R.T.	Nomor Petunjuk	Nomor Part	Uraian Part	Jumlah	Nomor Serie	Catatan
PUMP ASSY., OIL.....	0.9	1	15100-KFB-000	OIL PUMP ASSY.	1		
GEAR, OIL PUMP DRIVE	0.8	2	15131-KCN-000	GEAR, OIL PUMP DRIVE (34T)	1		
ROTOR, OIL PUMP.....	1.0	3	15331-399-000	ROTOR, OIL PUMP INNER (YAMADA)	1		
.NOTE: Same time for two units		4	15332-399-000	ROTOR, OIL PUMP OUTER (YAMADA)	1		
ROTOR, OIL FILTER.....	0.9	5	15430-440-030	ROTOR COMP., OIL FILTER	1		
CAP, OIL FILTER ROTOR.....	0.8	6	15436-107-000	CAP, OIL FILTER ROTOR	1		
GEAR, PRIMARY DRIVE	1.1	7	15441-KCS-650	THROUGH, OIL	1		
		8	15446-107-000	SPRING, OIL THROUGH	1		
		9	15459-KT0-710	GASKET, OIL FILTER CAP	1		
		10	23121-KCN-000	GEAR, PRIMARY DRIVE (22T)	1		
		11	90101-440-000	SCREW, FLAT, 6X30	2		
		12	90231-KPK-940	NUT, LOCK, 16MM	1		
		13	90434-KN6-930	WASHER, 16MM	1		
		14	91304-KK3-830	O-RING, 9.4X2.4	2		
		15	92101-05020-0A	BOLT, HEX., 5X20	2		
		16	93600-04012-1A	SCREW, FLAT, 4X12	2		
		17	93700-05012-0A	SCREW, OVAL, 5X12	3		
		18	94251-08000	PIN, LOCK, 8MM	1		