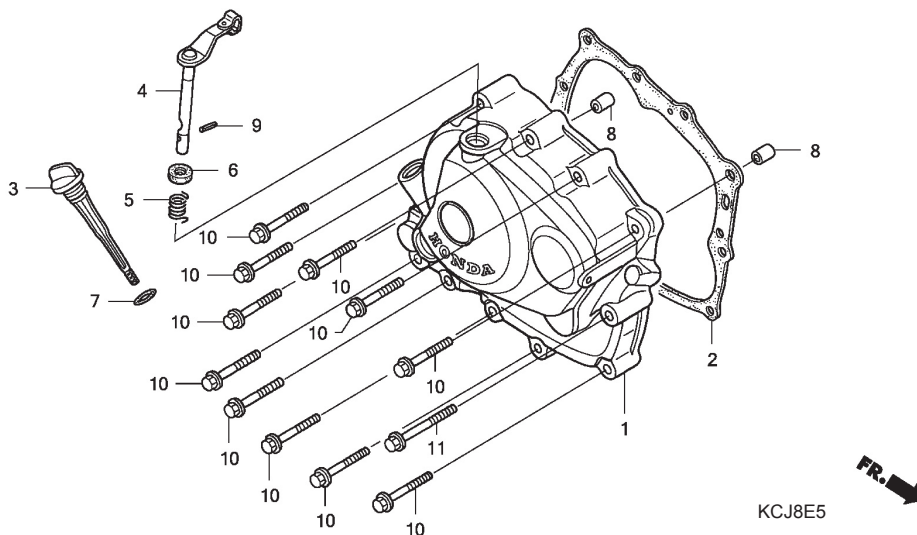


# E - 5

## Right Crankcase Cover



Bagian yang diservice	F.R.T.	Nomor Petunjuk	Nomor Part	Uraian Part	Jumlah	Nomor Serie	Catatan
COVER, CRANKCASE :RIGHT .....	0.8	1	11330-KCJ-670	COVER COMP., R. CRANKCASE	1	2IN	
GASKET, CRANKCASE COVER :			11330-KCJ-950	COVER COMP., R. CRANKCASE	1	IN	
RIGHT .....	0.7	2	11393-KT0-710	GASKET, R. COVER	1		
LEVER, CLUTCH .....	0.8	3	15650-KCN-000	GAUGE, OIL LEVEL	1	IN	
			15650-KPM-850	GAUGE, OIL LEVEL	1	2IN	
		4	22810-437-000	LEVER COMP., CLUTCH	1		
		5	22815-428-000	SPRING, CLUTCH LEVER	1		
		6	91201-KEH-900	OIL SEAL, 12X22X5	1		
			91201-KEH-910	OIL SEAL, 12X22X5	1		
		7	91307-035-000	O-RING, 18X3	1		
		8	94301-08140	DOWEL PIN, 8X14	2		
		9	94305-30102	PIN, SPRING, 3X10	1		
		10	96001-06040-00	BOLT, FLANGE, 6X40	11		
		11	96001-06050-00	BOLT, FLANGE, 6X50	1		