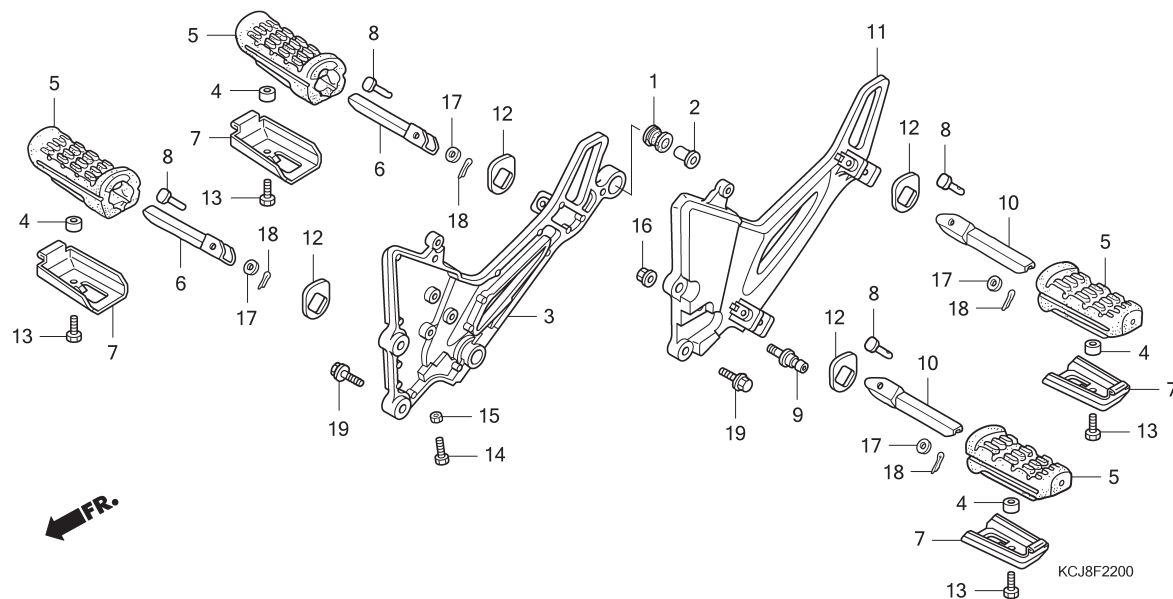


# F - 22 Step



3

No.	Service item	F.R.T.	No.	Part Number	Description	QTY	Notes
3	HOLDER, STEP :RIGHT .....	0.3	1	18421-438-670	RUBBER, MUFFLER MOUNTING	1	
	HOLDER, STEP :BOTH .....	0.9	2	18442-KEH-600	COLLAR, MUFFLER MOUNTING	1	
6	BAR, MAIN STEP :RIGHT .....	0.1	3	50600-KCJ-660ZA	HOLDER, R. STEP		
	BAR, MAIN STEP :BOTH .....	0.2		*NH255M* .....	SHIMMER SILVER METALLIC	1	TIGER REVO SW
7	BAR, PILLION STEP :RIGHT .....	0.1		*NH194MU* .....	HEAVY GRAY METALLIC-U	(1)	TIGER REVO CW
	BAR, PILLION STEP :BOTH .....	0.2		*NHA30M* .....	DIGITAL SILVER METALLIC	(1)	NEW TIGER REVO
6	BAR, MAIN STEP :LEFT .....	0.1	4	50618-KE8-000	COLLAR, 6.5X11X3	4	
	BAR, MAIN STEP :BOTH .....	0.2	5	50632-MJ0-000	RUBBER, STEP	4	
7	BAR, PILLION STEP :LEFT .....	0.1	6	50635-MJ0-000	BAR COMP., R. STEP	2	
	BAR, PILLION STEP :BOTH .....	0.2	7	50636-KCJ-710	PLATE, PILLION STEP	4	
11	HOLDER, STEP :LEFT .....	0.6	8	50639-KCJ-690	PIN, STEP BAR JOINT	4	
	HOLDER, STEP :BOTH .....	0.9	9	50643-KN6-910	PIVOT, CHANGE PEDAL	1	
			10	50645-MJ0-000	BAR COMP., L. STEP	2	
			11	50700-KCJ-660ZA	HOLDER, L. STEP		
				*NH255M* .....	SHIMMER SILVER METALLIC	1	TIGER REVO SW
				*NH194MU* .....	HEAVY GRAY METALLIC-U	(1)	TIGER REVO CW
				*NHA30M* .....	DIGITAL SILVER METALLIC	(1)	NEW TIGER REVO
			12	50713-KCJ-710	WASHER, STEP	4	
			13	92101-06012-0A	BOLT, HEX., 6X12	4	
			14	92101-06014-0A	BOLT, HEX., 6X14	1	SW
			15	94001-06000-0S	NUT, HEX., 6MM	1	SW