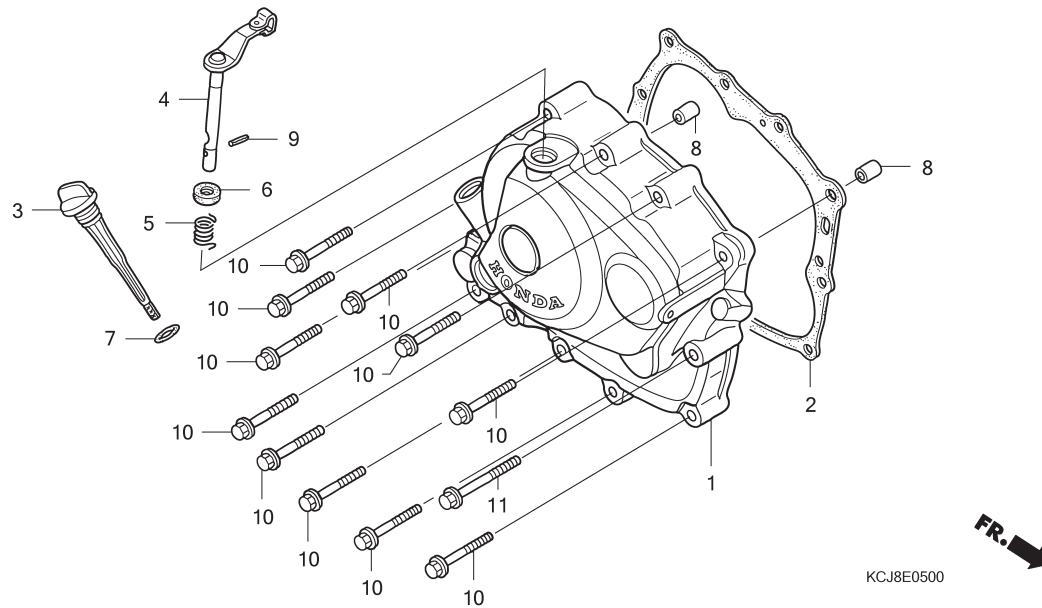


## E - 5 Right Crankcase Cover



No.	Service item	F.R.T.	No.	Part Number	Description	QTY	Notes
1	COVER, CRANKCASE :RIGHT .....	0.8	1	11330-KCJ-670	COVER COMP., R. CRANKCASE	1	BLACK
2	GASKET, CRANKCASE COVER : RIGHT.....	0.7	2	11330-KCJ-950	COVER COMP., R. CRANKCASE	1	SILVER
4	LEVER, CLUTCH .....	0.8	2	11393-KT0-710	GASKET, R. COVER	1	
			3	15650-KCN-000	GAUGE, OIL LEVEL	1	SILVER
				15650-KPM-850	GAUGE, OIL LEVEL	1	BLACK
			4	22810-437-000	LEVER COMP., CLUTCH	1	
			5	22815-428-000	SPRING, CLUTCH LEVER	1	
			6	91201-KEH-900	OIL SEAL, 12X22X5	1	
				91201-KEH-910	OIL SEAL, 12X22X5	1	
			7	91307-035-000	O-RING, 18X3	1	
			8	94301-08140	DOWEL PIN, 8X14	2	
			9	94305-30102	PIN, SPRING, 3X10	1	
			10	96001-06040-00	BOLT, FLANGE, 6X40	11	
			11	96001-06050-00	BOLT, FLANGE, 6X50	1	