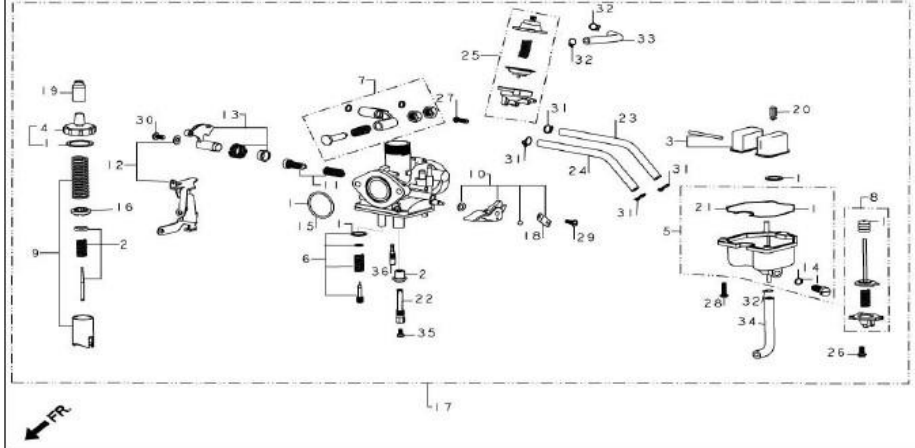


E-13
CARBURETTOR



Service Item	F.R.T.	BOM Of Group Number: E-13 Model :: CBZ* (Mar, 2004)			
		Ref No.	Part Number	Description	Req.
NEEDLE,SET JET	0.7	21	16163-KCS-920	GASKET, FLOAT CHAMBER	1
CARBURETTOR ASSY.	--	22	16165-KFN-851	HOLDER, NEEDLE JET	1
FLOAT, SET	0.6	23	16196-KFN-851	TUBE	1
VALVE COMP., FLOAT	--	24	16198-KFN-851	TUBE	1
JET	--	25	16510-KFN-851	ACV ASSY.	1
TOP SET	0.3	26	93892-04012-18	SCREW WASH, 4 X 12	3
VALVE SET THROTTLE	--	27	93892-04014-18	SCREW, WASH, 4 X 14	2
CHAMBER SET FLOAT	0.4	28	93892-04016-18	SCREW, WASH, 4X16	3
PUMP, DIAPHRAGM SET	0.5	29	93892-05012-18	SCREW, WASH, 5X12	1
		30	93892-05014-18	SCREW WASH, 5 X 14	1
		31	95002-02089	CLIP, B1 8 TUBE	4
		32	95002-02659	CLIP, B-1, 6.5 TUBE	3
		33	95005-35110-20	TUBE, 3.5 X 110	1
		34	95005-35520-50	TUBE, 3.5 X 520	1
		35	99101-GHB-1020	JET MAIN, #102	1
		36	99104-KN4-0350	JET COMP., SLOW #35	1