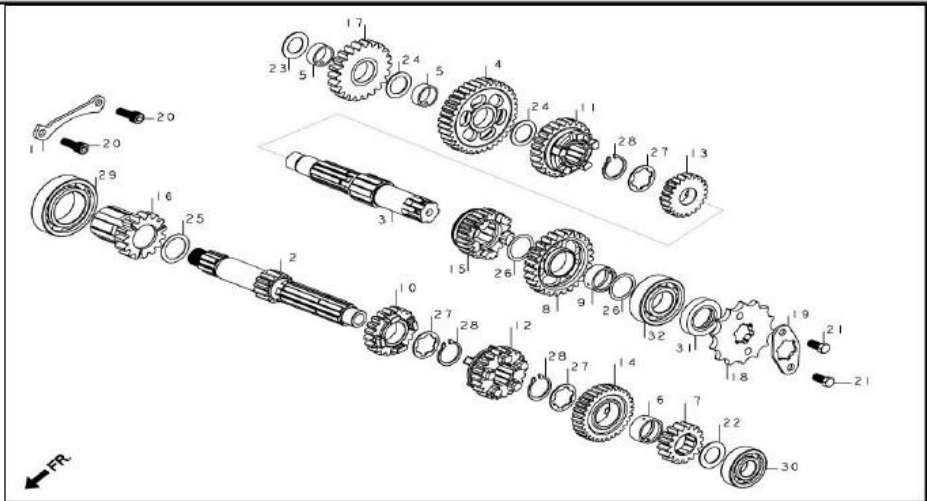


## E-10 TRANSMISSION



Service Item	F.R.T.	BOM Of Group Number: E-10 Model :: CBZ* (Mar, 2004)			
		Ref No.	Part Number	Description	Req.
SHAFT, MAIN TRANSMISSION (13T) (INC. RELATIVE PART)	*4.6 --	21	90084-041-000	BOLT, DRIVE SPRKT, FIXING	2
COUNTER SHAFT (INC. RELATIVE PART)	--	22	90451-107-000	WASHER THRUST, 15MM	1
(WHEN SERVICING COMP., UNIT)	--	23	90451-365-000	WASHER THRUST, 15MM	1
F.R.T. IS 4.8	--	24	90452-437-000	WASHER THRUST, 16.5 MM	2
SPROCKET, DRIVE (14T)	0.2	25	90453-107-000	WASHER 'A' THRUST, 20MM	1
		26	90454-107-000	WASHER ,THRUST, 20MM	2
		27	90455-107-000	WASHER 'A' SPLINE, 20MM	3
		28	90605-200-000	SET RING, 20MM	3
		29	91005-KEH-910	BRG. BALL RADIAL, 6006	1
		30	91015-KEH-910	BEARING, BALL RADIAL, 6202U	1
		31	91201-KCS-920	OIL SEAL, 20X34X7	1
		32	96100-62040-00	BEARING, BALL RADIAL, 6204	1