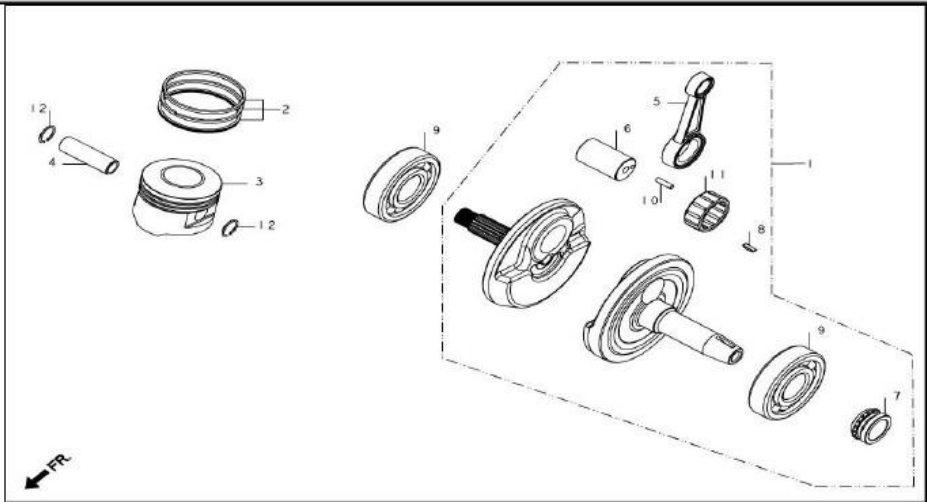


E-9
CRANK SHAFT/PISTON



Service Item	F.R.T.	BOM Of Group Number: E-9 Model :: CBZ (Mar, 1999)			
		Ref No.	Part Number	Description	Req.
CRANK SHAFT COMP	*5.3	1	13000-KEH-900	CRANK SHAFT COMP	1
RING SET, PISTON(STD)	*3.2	2	13011-KCJ-305	RING SET, PISTON(STD)	1
PISTON	--		13021-KCJ-305	RING SET, PISTON (OVER SIZE 0.25)	1
PIN, PISTON	*3.1		13031-KCJ-305	RING SET, PISTON (OVER SIZE 0.50)	1
ROD, CONNECTING(ACTUAL TIME)	--	3	13101-KFN-851	PISTON (STD)	1
(INC. RELATIVE PART)	--		13102-KEH-305	PISTON (OVER SIZE 0.25)	1
BRG. BALL RADIAL, 28 X 72 X 18	*4.6		13103-KEH-305	PISTON (OVER SIZE 0.50)	1
		4	13111-440-000	PIN, PISTON	1
		5	13201-KCN-300	ROD, CONNECTING	1
		6	13380-KCN-300	PIN COMP,CRANK	1
		7	14311-KN6-931L	SPROCKET, TIMING	1
		8	90701-HB6-010	KEY, WOODRUFF, 25X14X4	1
		9	91001-KCN-003	BRG. BALL RADIAL, 28 X 72 X 18	2
		10	91102-KC6-003	ROLLER, 4 X 14.8 A	18
			91103-KC6-003	ROLLER, 4 X 14.8 B	18
			91104-KC6-003	ROLLER, 4 X 14.8 C	18
		11	91105-KW3-003	RETAINER, CONROD L END	1
		12	94601-15000	CLIP,PISTON PIN,15 MM	2