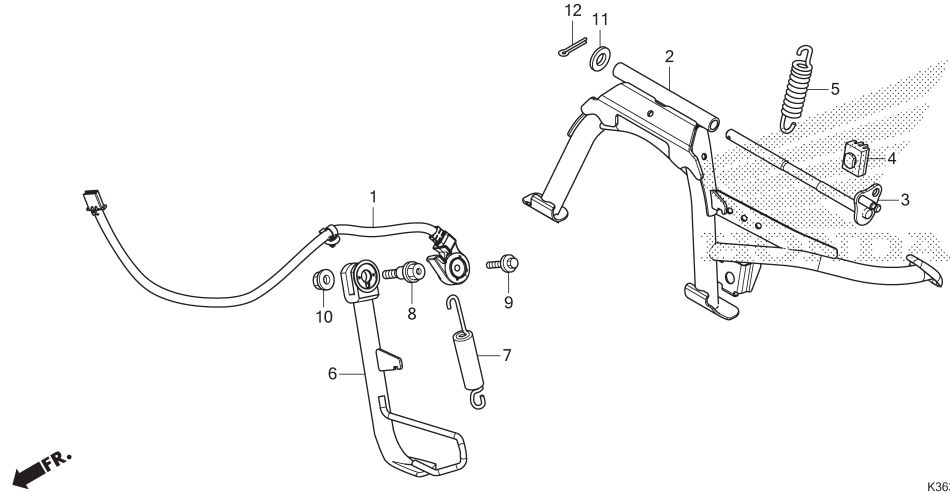


F-35

STAND



No. Ref.	L.O.N.	(Nomor ref. relatif) Deskripsi	F.R.T.
1	615195	SWITCH, SIDE STAND	1,8
2	(3)	STAND, MAIN	0,2
5	410176	SPRING, MAIN STAND	0,1
6	410180	BAR, SIDE STAND	0,3
7	410182	SPRING, SIDE STAND	0,2

No. Ref.	No. Part	Deskripsi	Jumlah PCX150 EX F	No. Seri	Kode Parts Catalog
1	35700-K35-V01	SWITCH ASSY., SIDE STAND	1		
2	50500-K35-V00	STAND COMP., MAIN	1		
3	50503-KWN-901	SHAFT, MAIN STAND	1		
4	50505-GR1-710	RUBBER, STAND STOPPER	1		
5	50520-KVB-900	SPRING, MAIN STAND	1		
6	50530-K35-V00	BAR COMP., SIDE STAND	1		
7	50543-K35-V00	SPRING ASSY., SIDE STAND	1		
8	90108-KZL-860	BOLT, SIDE STAND PIVOT	1		
9	90147-MCE-950	BOLT, SPECIAL, 6X16	1		
10	90203-KVB-900	NUT, SIDE STAND	1		
11	94101-10800	WASHER, PLAIN, 10MM	1		
12	94201-30200	PIN, SPLIT, 3.0X20	1		

