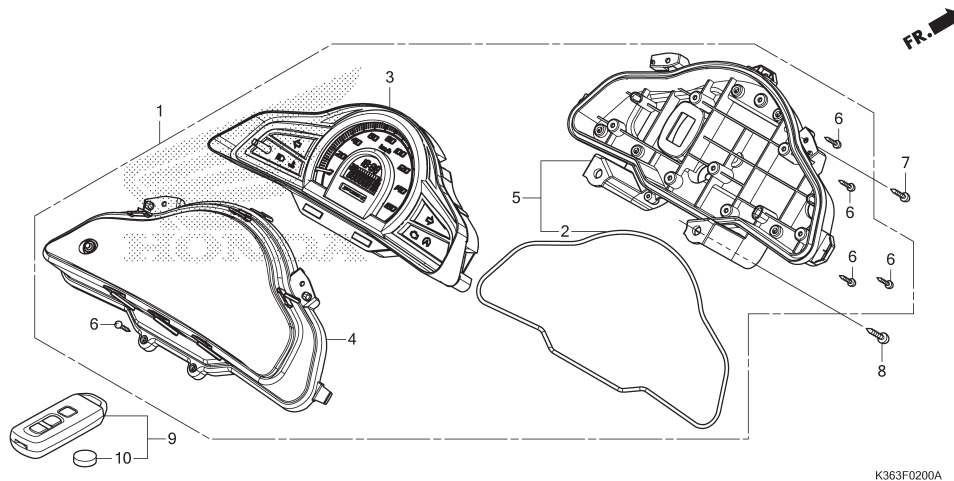


# F-2

# METER



No. Ref.	L.O.N.	(Nomor ref. relatif) Deskripsi	F.R.T.
1	8121A1	METER ASSY., COMBINATION .....	1,5
3	8121A2	METER, COMBINATION .....	1,6
4	8121B7	LENS, METER .....	1,5
5	8121B3	CASE, METER .....	1,5

3

No. Ref.	No. Part	Deskripsi	Jumlah PCX150 EX F	No. Seri	Kode Parts Catalog
1	37200-K36-T01	SPEEDOMETER ASSY. ....	1		
2	37205-K35-V01	PACKING .....	1		
3	37210-K36-T01	METER COMP., COMBINATION .....	1		
4	37211-K35-V01	LENS ASSY. ....	1		
5	37212-K35-V01	CASE ASSY. ....	1		
6	90314-KVS-F22	SCREW, TAPPING, 3X14 .....	9		
7	93903-24481	SCREW, TAPPING, 4X16 .....	2		
8	93903-25310	SCREW, TAPPING, 5X16 .....	2		
9	72147-K36-N11	TRANSMITTER ASSY., ALARM & ANSWER .....	1		
10	72148-TY0-000	BATTERY COMP. (CR1632) .....	1		