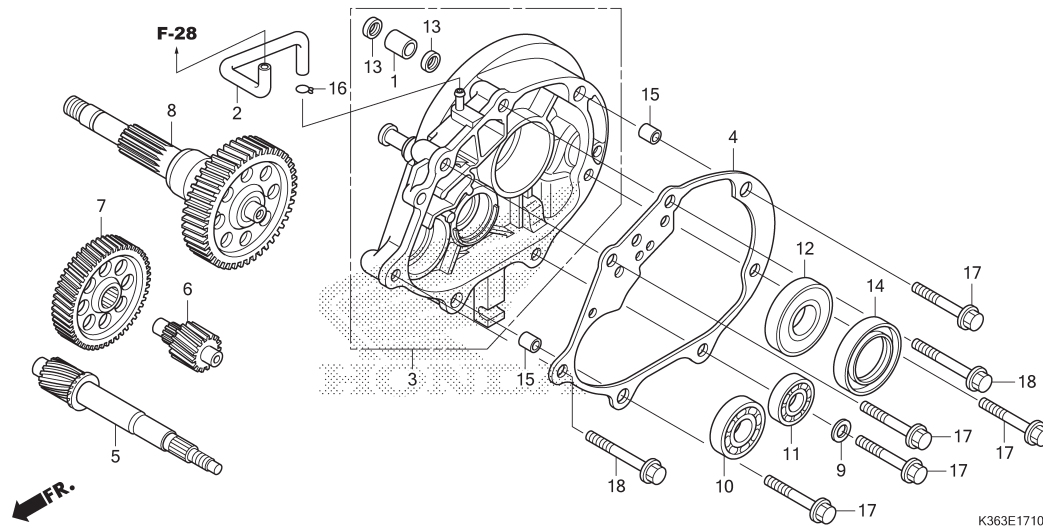


E-17-10

TRANSMISSION



| No. Ref. | L.O.N. | (Nomor ref. relatif) Deskripsi | F.R.T. |
|----------|--------|---|--------|
| 3 | 2101A2 | CASE, TRANSMISSION | 1,3 |
| 4 | 2101A3 | GASKET, TRANSMISSION CASE | 0,9 |
| 5 | 2101E9 | SHAFT, DRIVE | 1,2 |
| 6 | 2101A2 | COUNTERSHAFT, TRANSMISSION | 0,9 |
| 7 | 2101A5 | GEAR, COUNTER | 0,9 |
| 8 | 210170 | SHAFT, FINAL GEAR | 0,9 |
| 10 | 2101F1 | BEARING, DRIVESHAFT :RIGHT | 1,1 |
| | 2101J1 | BEARING, DRIVESHAFT :KEDUA-DUANYA | 1,3 |
| 11 | 2101C8 | BEARING, COUNTERSHAFT :RIGHT | 1,1 |
| | 2101C9 | BEARING, COUNTERSHAFT :KEDUA-DUANYA | 1,2 |
| 12 | | (14) | |
| | 2101E6 | BEARING, FINAL GEAR SHAFT :RIGHT | 1,1 |
| | 2101J0 | BEARING, FINAL GEAR SHAFT :KEDUA-DUANYA | 1,2 |

| No. Ref. | No. Part | Deskripsi | Jumlah PCX150 EX F | No. Seri | Kode Parts Catalog |
|----------|----------------|-------------------------------------|-----------------------------|----------|--------------------|
| 1 | 11204-KGF-900 | SLEEVE, RR. BRAKE CAM | 1 | | |
| 2 | 11211-KWN-980 | TUBE, MISSION BREATHER | 1 | | |
| 3 | 21200-KWN-710 | CASE COMP., TRANSMISSION | 1 | | |
| 4 | 21395-KZR-600 | GASKET, TRANSMISSION CASE | 1 | | |
| 5 | 23411-KZR-600 | SHAFT, DRIVE(17T) | 1 | | |
| 6 | 23421-KZR-600 | COUNTERSHAFT(13T) | 1 | | |
| 7 | 23422-K36-J00 | GEAR, COUNTER(54T) | 1 | | |
| 8 | 23430-KZR-600 | GEAR COMP., FINAL(44T) | 1 | | |
| 9 | 90495-MN5-000 | WASHER, SEALING, 8MM | 1 | | |
| 10 | 91004-KZR-601 | BEARING, RADIAL BALL, 6202 | 1 | | |
| 11 | 91006-KZR-601 | BEARING, RADIAL BALL, 6201 | 1 | | |
| 12 | 91009-KWN-901 | BEARING, RADIAL BALL, 6205 UU | 1 | | |
| 13 | 91201-434-003 | OIL SEAL, 14X20X3.2 | 2 | | |
| 14 | 91204-K35-J01 | OIL SEAL, 34X52X7 | 1 | | |
| 15 | 94301-10120 | DOWEL PIN, 10X12 | 2 | | |
| 16 | 95002-50000 | CLIP, TUBE(C9) | 1 | | |
| 17 | 95701-08045-00 | BOLT, FLANGE, 8X45 | 5 | | |
| 18 | 95701-08055-00 | BOLT, FLANGE, 8X55 | 2 | | |

