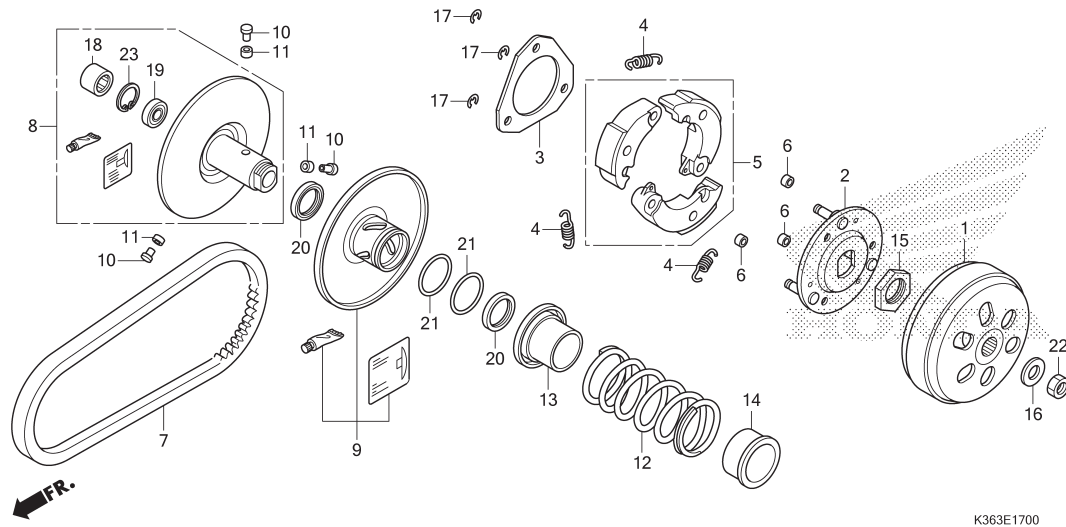


# E-17

# DRIVEN FACE



K363E1700

No. Ref.	L.O.N.	(Nomor ref. relatif) Deskripsi	F.R.T.
1	2121A0	OUTER, CLUTCH .....	0,4
5		(2,4)	
7	2121A6	WEIGHT SET, CLUTCH .....	0,9
8	2111B2	BELT, DRIVE .....	0,5
		(10,11,13)	
9	2111A2	FACE, DRIVEN .....	0,8
		(20,21)	
12	2111A3	FACE, MOVABLE DRIVEN .....	0,9
		(14)	
18	2111A7	SPRING, DRIVEN FACE .....	0,7
		(19)	
	2111A8	BEARING, DRIVEN FACE .....	1,0
	2111A8A	.Ganti 1 bearing tambahkan .....	0,1

No. Ref.	No. Part	Deskripsi	Jumlah PCX150 EX F	No. Seri	Kode Parts Catalog
1	22100-KWN-900	OUTER COMP., CLUTCH .....	1		
2	22350-GFM-900	PLATE COMP., DRIVE .....	1		
	22350-KVB-900	.....	1		
3	22361-KVB-900	PLATE, CLUTCH SIDE .....	1		
4	22401-KWN-640	SPRING, CLUTCH .....	3		
5	22535-K35-V00	WEIGHT SET, CLUTCH .....	1		
6	22804-148-000	RUBBER, CLUTCH DAMPER .....	3		
7	23100-K36-J01	BELT, DRIVE .....	1		
8	23205-K35-V00	FACE SET, DRIVEN .....	1		
9	23224-K36-J00	FACE SET, MOVABLE DRIVEN .....	1		
10	23225-KSY-900	PIN, ROLLER GUIDE .....	3		
11	23226-KVB-900	ROLLER, GUIDE .....	3		
12	23233-K36-J00	SPRING, DRIVEN FACE .....	1		
13	23237-K35-V00	COLLAR, SEAL .....	1		
14	23238-KVB-900	COLLAR, SPRING .....	1		
15	90202-KN7-670	NUT, SPECIAL, 28MM .....	1		
16	90441-GY6-940	WASHER, 12.2X29X2.5 .....	1		
17	90605-166-720	CIRCLIP, 7MM .....	3		
18	91001-KCW-003	BEARING, NEEDLE, 20X29X18 (NT) .....	1		
	91109-KVY-901	BEARING, NEEDLE, 20X29X18 (SC) .....	1		
19	91002-GA7-701	BEARING, RADIAL BALL, 6902U (NT) .....	1		
	91009-KVY-961	BEARING, RADIAL BALL, 6902U (NK) .....	1		
20	91211-KN7-671	SEAL, DRIVEN FACE, 34X41X4 .....	2		
21	91384-KVB-900	O-RING, 38.8X1.9 .....	2		
22	94030-12200	NUT, HEX., 12MM .....	1		
23	94520-28000	CIRCLIP, INTERNAL, 28MM .....	1		