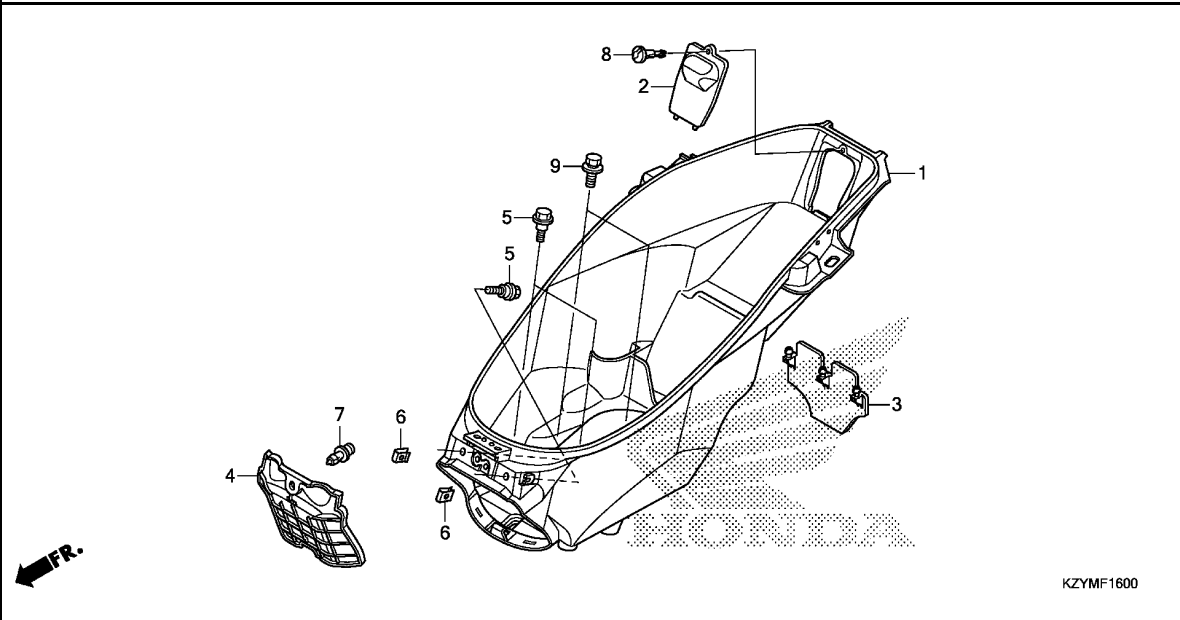


F-16

LUGGAGE BOX

G 2



Ref. No.	L.O.N.	(Relative ref. Number) Description	F.R.T.
1	412102	BOX, LUGGAGE	0.9
4	6101A1	COVER, BATTERY	0.1

Ref. No.	Part No.	Description	Reqd. QTY	Serial No.	Parts catalogue code
			WW150 D		
1	81250-KWN-711	BOX, LUGGAGE	1		
2	81253-KWN-900	LID, LUGGAGE BOX	1		
3	81265-KWN-900	GUARD, RR. SPLASH	1		
4	81290-KWN-900	COVER, BATTERY	1		
5	90111-187-000	BOLT, FLANGE, 6MM	4		
6	90302-SA4-003	NUT, SPRING, 4MM	2		
7	90653-HW3-671	RIVET, PUSH(D8)	1		
8	90683-GAZ-003	CLIP, TRIM	1		
9	93404-06012-00	BOLT-WASHER, 6X12	2		

3