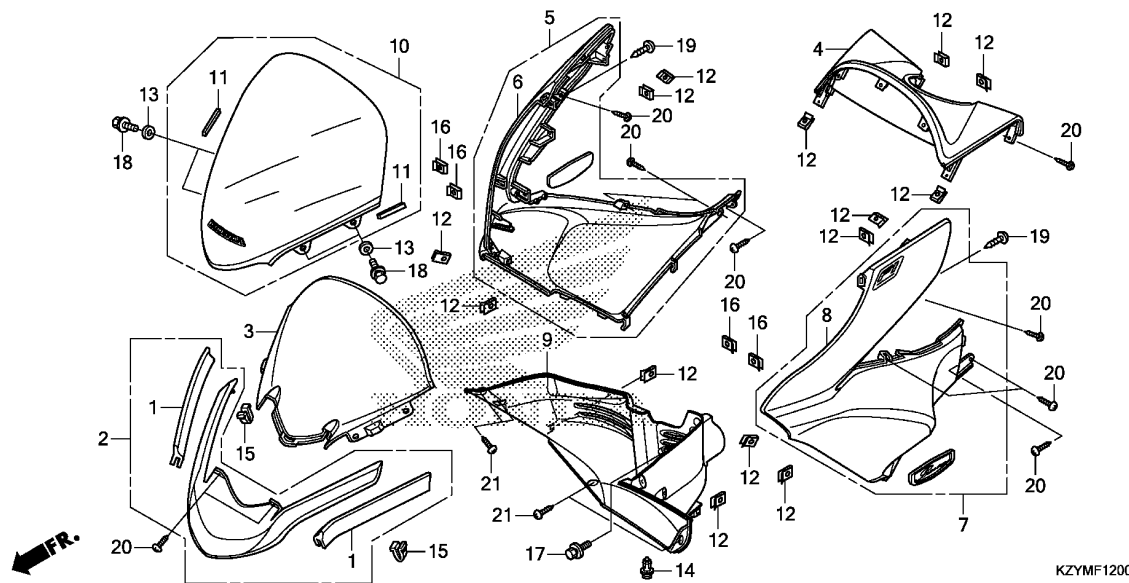


F-12

FRONT COVER

F11



Ref. No.	L.O.N.	(Relative ref. Number) Description	F.R.T.
2	4111M3	GARNISH, WINDSCREEN	0.1
3	812140	PANEL, METER	0.2
4	8121B9	PANEL, METER :REAR	0.9
5		(6)	
	4111U8	COVER, FRONT :RIGHT	1.2
7		(8)	
	4111U7	COVER, FRONT :LEFT	1.2
	4111U9	COVER, FRONT :BOTH	1.4
9	413130	COVER, FRONT LOWER	1.5
10	812102	VISOR, METER	0.2

KZYMF1200

Ref. No.	Part No.	Description	Reqd. QTY	Serial No.	Parts catalogue code
			ww150 D		
1	64105-KWN-640	MOLDING, WINDSCREEN	2		
2	64300-KWN-640ZN	GRILL ASSY., FR. *NHB45M*RADIATE GRAY METALLIC	1	-----	2MA
	64300-KWN-640ZQ	*NHA69P*			
		PEARL MAGELLANIC BLACK	1	-----	2MA
	64300-KWN-640ZP	*NHA96P*PEARL METALLOID WHITE	1	-----	MA
3	64336-KWN-900ZA	PANEL, FR. METER *NH1*.....BLACK	1	-----	
4	64337-KWN-710ZU	PANEL, RR. METER *NHB45M*RADIATE GRAY METALLIC	1	-----	2MA
	64337-KWN-710ZW	*NHA69P*			
		PEARL MAGELLANIC BLACK	1	-----	2MA
	64337-KWN-710ZV	*NHA96P*PEARL METALLOID WHITE	1	-----	MA
5	64500-KZY-701ZJ	COVER SET, R. FR.(WL) *NHA96P*PEARL METALLOID WHITE	1	-----	MA
6	64501-KWN-902ZW	COVER, R. FR. *NHB45M*RADIATE GRAY METALLIC	1	-----	2MA
	64501-KWN-902ZX	*NHA69P*			
		PEARL MAGELLANIC BLACK	1	-----	2MA
7	64510-KZY-701ZN	COVER SET, L. FR.(WL) *NHA96P*PEARL METALLOID WHITE	1	-----	MA
8	64510-KZY-960ZD	COVER SET, L. FR.(WL) *NHB45M*RADIATE GRAY METALLIC	1	-----	2MA
	64510-KZY-960ZE	*NHA69P*			
		PEARL MAGELLANIC BLACK	1	-----	2MA
9	64520-KWN-710ZB	COVER, FR. LOWER *NH1*.....BLACK	1	-----	

3