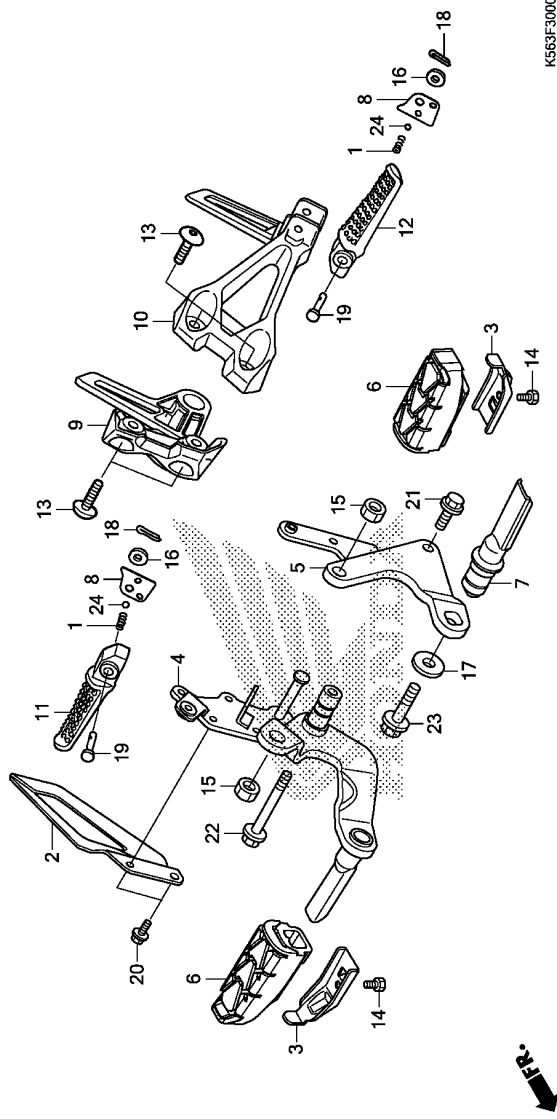


Ref. No.	L.O.N.	(Relative ref. Number)	Description	F.R.T.
2	4101A0	GUARD, STEP	0.1
4	4101N2	HOLDER, STEP :RIGHT	0.2
5	4101N1	HOLDER, STEP :LEFT	0.1
6	4101N6	HOLDER, STEP :BOTH	0.2
6	4101D3	RUBBER, STEP :LEFT	0.1
4	4101D4	RUBBER, STEP :RIGHT	0.1
7	4101L8	RUBBER, STEP :BOTH	0.1
9	4101C5	BAR, MAIN STEP :LEFT	0.1
9	4101D0	BRACKET, PILLION STEP :RIGHT	0.1
10	4101C9	BRACKET, PILLION STEP :LEFT	0.1
10	4101K4	BRACKET, PILLION STEP :BOTH	0.2
11	4101C8	BAR, PILLION STEP :RIGHT	0.1
12	4101C7	BAR, PILLION STEP :LEFT	0.1
12	4101P4	BAR, PILLION STEP :BOTH	0.2



Ref. No.	Part No.	Description	Reqd. QTY		Serial No.	Parts catalogue code
			FS	G		
1	28333-300-000	SPRING, KICK STARTER STOPPER	2			
2	50606-K56-N00	GUARD, R. HEEL	1			
3	50619-K56-N00	PLATE, STEP LOWER	2			
4	50650-K56-N00	HOLDER, R. MAIN STEP	1			
5	50660-K56-N00	HOLDER, L. MAIN STEP	1			
6	50661-KYE-900	RUBBER, MAIN STEP	2			
7	50670-K56-N00	BAR COMP., L. STEP	1			
8	50711-K15-900	PLATE, PILLION STEP CLICK	2			
9	50715-K56-N00	HOLDER, R. PILLION STEP	1			
10	50716-K56-N00	HOLDER, L. PILLION STEP	1			
11	50720-KT7-761	BAR, R. PILLION STEP	1			
12	50730-KT7-761	BAR, L. PILLION STEP	1			
13	90128-KET-900	BOLT, SOCKET, 8X22	4			
14	92101-06012-0G	BOLT, HEX., 6X12	2			
15	94002-12000-0S	NUT, HEX., 12MM	2			
16	94101-06000	WASHER, PLAIN, 6MM	2			
17	94103-10000	WASHER, PLAIN, 10MM	1			
18	94201-16150	PIN, SPLIT, 1.6X15	2			
19	95015-83000	PIN C, PILLION STEP	2			
20	95701-06010-00	BOLT, FLANGE, 6X10	2			
21	95701-08020-00	BOLT, FLANGE, 8X20	1			
22	95701-08065-00	BOLT, FLANGE, 8X65	1			
23	95701-10030-00	BOLT, FLANGE, 10X30	1			
24	96211-08000	BALL, STEEL, #8(1/4)	2			