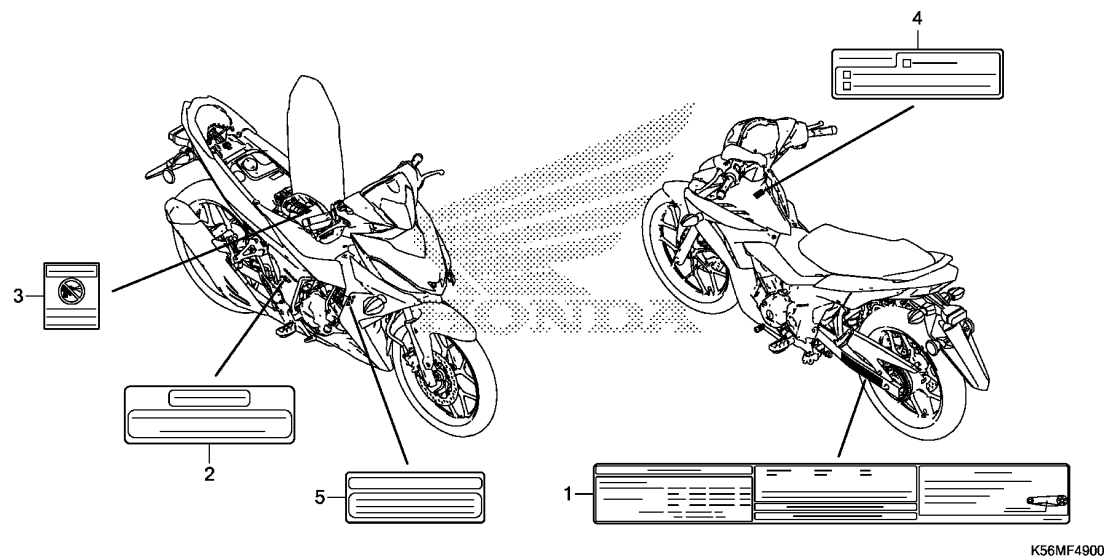


**F-49**

**CAUTION LABEL**



K56MF4900

Ref. No.	L.O.N. (Relative ref. Number)	Description	F.R.T.
----------	-------------------------------	-------------	--------

NO INFORMATION .....

**3**

Ref. No.	Part No.	Description	Reqd. QTY	Serial No.	Parts catalogue code
1	87505-K56-M00	LABEL, TIRE & DRIVE CHAIN ...	1		
2	87506-KGH-970	MARK, BATTERY CAUTION .....	1		
3	87509-KWP-900	LABEL, AIR CLEANER ELEMENT NOTICE	1		
4	87560-KTT-950	LABEL, DRIVE CAUTION .....	1		
5	87503-KVB-860	LABEL, COOLANT INFORMATION ..	1		