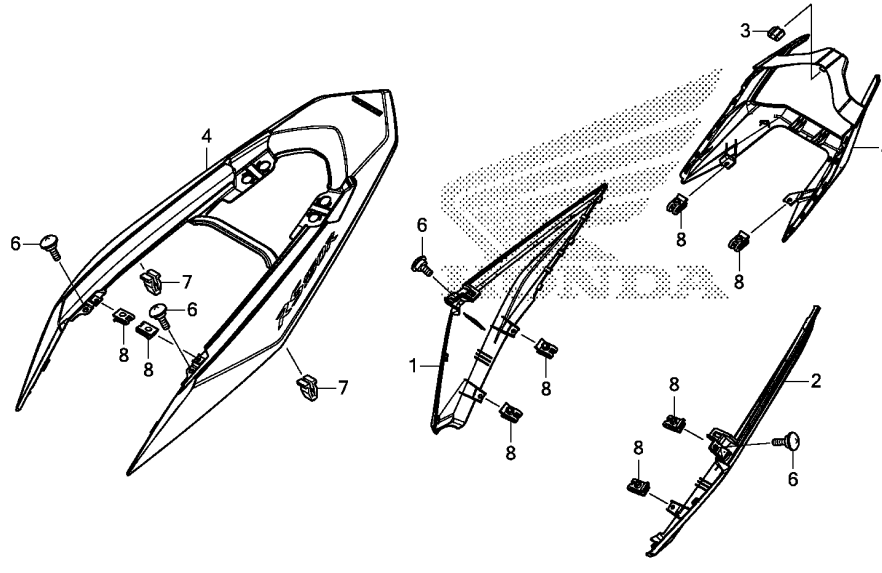


F-23-10

BODY COVER



Ref. No.	L.O.N.	(Relative ref. Number) Description	F.R.T.
1	4131J0	COVER, BODY :RIGHT	0.3
2	4131H9	COVER, BODY :LEFT	0.3
	4131J1	COVER, BODY :BOTH	0.4
4	4131J2	COVER, BODY :REAR	0.3
5	6161G8	COVER, TAILLIGHT	0.4

3

Ref. No.	Part No.	Description	Reqd. QTY	Serial No.	Parts catalogue code
			FS 150F H		
1	64400-K56-M10ZA	COVER SET, R. RR. BODY(WL)	1	-----	2MA
		TYPE1.....	1	-----	3MA,MA
2	64450-K56-M10ZA	COVER SET, L. RR. BODY(WL)	1	-----	2MA
		TYPE1.....	1	-----	3MA,MA
3	77267-KTR-900	RUBBER, COWL	1	-----	
4	83500-K56-M10ZA	COVER SET, TAIL(WL)	1	-----	2MA
		TYPE1.....	1	-----	3MA
	83500-K56-M20ZA	*TYPE2*.....	1	-----	3MA
	83500-K56-M20ZB	*TYPE1*.....	1	-----	3MA
	83500-K56-M00ZA	*TYPE1*.....	1	-----	MA
5	83520-K56-N10	COVER, TAILLIGHT	1	-----	
6	90115-KW7-900	SCREW, VISOR SPECIAL SETTING	4	-----	
7	90666-SDA-A01	CLIP, SNAP FITTING(PO)			
		(NATURAL)	2	-----	
8	90677-KAN-T00	NUT, CLIP, 5MM	8	-----	