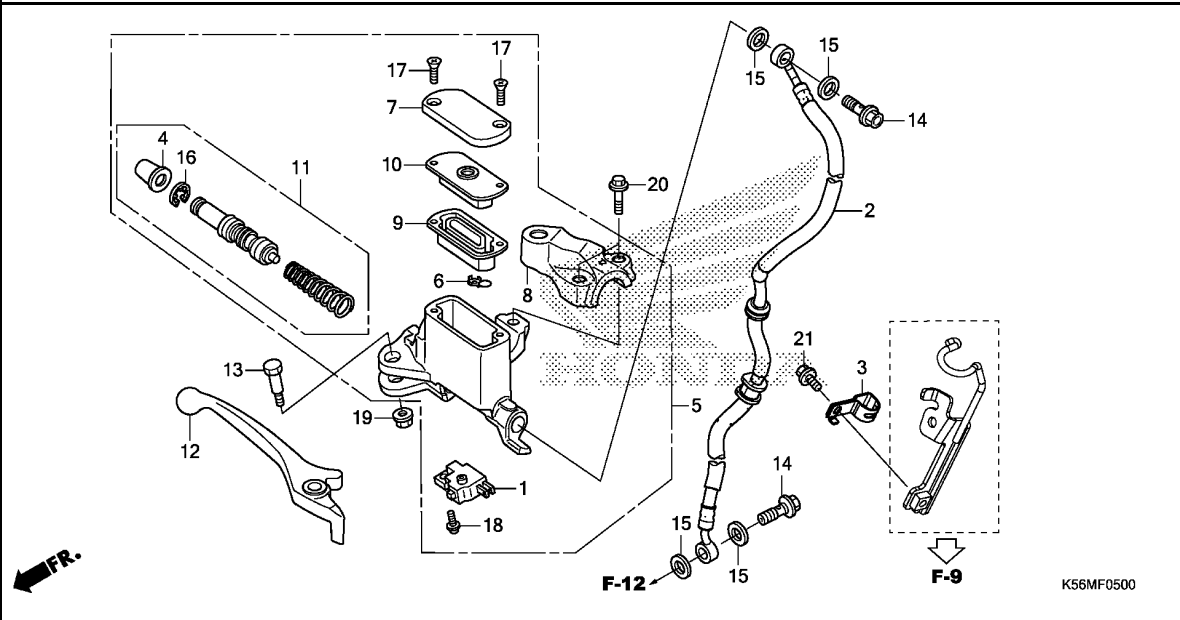


F-5

FRONT BRAKE MASTER CYLINDER



Ref. No.	L.O.N.	(Relative ref. Number) Description	F.R.T.
1	6151B2	SWITCH, FRONT STOP	0.4
2	7121A0	HOSE, FRONT BRAKE	1.0
		.INCLUDES: Bleed brakes	
5	712105	CYLINDER, FRONT BRAKE MASTER	0.8
		.INCLUDES: Bleed brakes	
9	7121G6	DIAPHRAGM, FRONT BRAKE MASTER	0.1
11	7121G9	PISTON SET, FRONT BRAKE MASTER	0.7
		.INCLUDES: Bleed brakes	
12	8101C7	LEVER, HANDLE :RIGHT	0.3
	8101F5	LEVER, HANDLE :BOTH	0.5

Ref. No.	Part No.	Description	Reqd. QTY	Serial No.	Parts catalogue code
			FS 150F H		
1	35340-KWB-601	SWITCH ASSY., FR. STOP	1		
2	45126-K56-N11	HOSE COMP., FR. BRAKE	1		
3	45157-K56-N10	CLAMPER, FR. BRAKE HOSE	1		
4	45504-410-003	BOOT COMP.	1		
5	45510-K03-M01	CYLINDER SUB ASSY., FR. BRAKE MASTER(NISSIN)	1		
6	45512-MA6-006	PROTECTOR	1		
7	45513-GW0-911	CAP, MASTER CYLINDER	1		
8	45517-K03-M61	HOLDER, MIRROR	1		
9	45520-GW0-911	DIAPHRAGM	1		
10	45521-GW0-911	PLATE, DIAPHRAGM	1		
11	45530-K03-M61	CYLINDER SET, MASTER(NISSIN)	1		
12	53175-KET-921	LEVER, R. STEERING HANDLE ...	1		
13	90114-KGH-900	BOLT, HANDLE LEVER PIVOT	1		
14	90145-K03-M60	BOLT, OIL, 10X25	2		
15	90545-300-000	WASHER, OIL BOLT	4		
16	90651-K03-M61	CIRCLIP, INTERNAL, 18.8	1		
17	93600-04012-16	SCREW, FLAT, 4X12	2		
18	93893-04012-17	SCREW-WASHER, 4X12	1		
19	94050-06000	NUT, FLANGE, 6MM	1		
20	95701-06022-00	BOLT, FLANGE, 6X22	2		
21	96001-06012-07	BOLT, FLANGE, 6X12	1		

