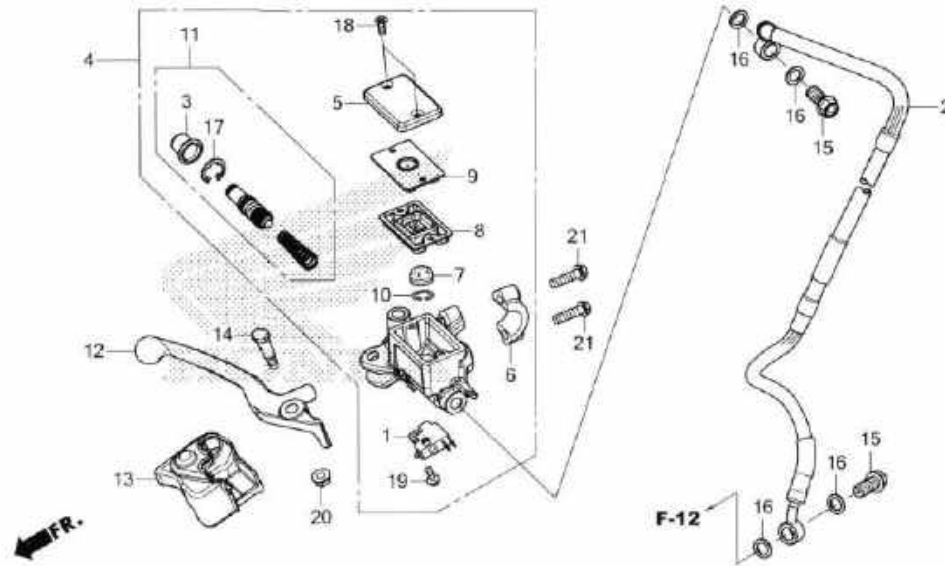


# F-5

# FRONT BRAKE MASTER CYLINDER



No. Ref.	L.O.N.	(Nomor ref. relatif) Deskripsi	F.R.T.
1	6151B2	SWITCH, FRONT STOP.....	0,2
2	7121A0	HOSE, FRONT BRAKE.....	0,4
		.TERMASUK: Pembuangan angin palsu	
4	712105	CYLINDER, FRONT BRAKE MASTER... .TERMASUK: Pembuangan angin palsu	0,4
8	712166	DIAPHRAGM, FRONT BRAKE MASTER CYLINDER.....	0,1
11	712169	PISTON SET, FRONT BRAKE MASTER .TERMASUK: Pembuangan angin palsu	0,4
12	8101C7	LEVER, HANDLE :RIGHT.....	0,1
	8101F5	LEVER, HANDLE :KEDUA-DUANYA....	0,2

3

No. Ref.	No. Part	Deskripsi	Jumlah		No. Seri	Kode Parts Catalog
			CRF150L(CRF150L) 2017(H)	2018(K)		
1	35340-KWB-601	SWITCH ASSY., FR. STOP .....	1	1		
2	45125-K84-901	HOSE COMP., FR. BRAKE .....	1	1		
3	45504-410-003	BOOT COMP. ....	1	1		
4	45510-K84-901	CYLINDER SUB ASSY., FR. MASTER	1	1		
5	45513-KK1-771	CAP, MASTER CYLINDER .....	1	1		
6	45517-166-006	HOLDER, MASTER CYLINDER .....	1	1		
7	45518-MEN-J01	SEPARATOR COMP. ....	1	1		
8	45520-MG7-006	DIAPHRAGM .....	1	1		
9	45521-HA2-006	PLATE, DIAPHRAGM .....	1	1		
10	45523-KA3-731	RING .....	1	1		
11	45530-471-831	CYLINDER SET, MASTER .....	1	1		
12	53175-K22-900	LEVER, R. STEERING HANDLE ...	1	1		
13	53176-K84-901	COVER, R. HANDLE LEVER .....	1	1		
14	90114-166-006	BOLT, HANDLE LEVER PIVOT ...	1	1		
15	90145-GAZ-981	BOLT, OIL, 10X22 .....	2	2		
16	90545-300-000	WASHER, OIL BOLT .....	4	4		
17	90651-MA5-671	CIRCLIP .....	1	1		
18	93600-04012-1G	SCREW, FLAT, 4X12 .....	2	2		
19	93893-04012-17	SCREW-WASHER, 4X12 .....	1	1		
20	94050-06000	NUT, FLANGE, 6MM .....	1	1		
21	96001-06022-07	BOLT, FLANGE, 6X22 .....	2	2		