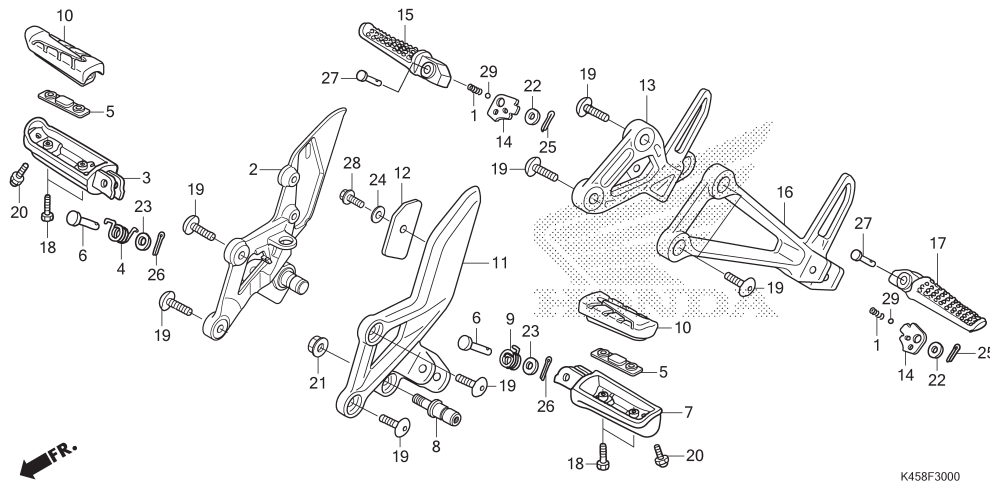


F-30

STEP



No. Ref.	L.O.N.	(Nomor ref. relatif) Deskripsi	F.R.T.
2	4101N2	HOLDER, STEP :RIGHT	0,3
3	4101C6	BAR, MAIN STEP :RIGHT	0,1
7	4101C5	BAR, MAIN STEP :LEFT	0,1
	4101J1	BAR, MAIN STEP :KEDUA-DUANYA	0,2
10	4101D3	RUBBER, STEP :LEFT	0,1
	4101D4	RUBBER, STEP :RIGHT	0,1
	4101L8	RUBBER, STEP :KEDUA-DUANYA	0,1
11	4101N1	HOLDER, STEP :LEFT	0,3
	4101N6	HOLDER, STEP :KEDUA-DUANYA	0,6
13	4101D0	BRACKET, PILLION STEP :RIGHT	0,2
15	4101C8	BAR, PILLION STEP :RIGHT	0,1
16	4101C9	BRACKET, PILLION STEP :LEFT	0,2
	4101K4	BRACKET, PILLION STEP :KEDUA-DUANYA	0,4
17	4101C7	BAR, PILLION STEP :LEFT	0,1
	4101P4	BAR, PILLION STEP :KEDUA-DUANYA	0,2

3

No. Ref.	No. Part	Deskripsi	Jumlah CBR150R F	No. Seri	Kode Parts Catalog
1	28333-300-000	SPRING, KICK STARTER STOPPER	2		
2	50600-K45-N00	HOLDER, R. STEP	1		
3	50612-MM5-000	ARM, R. STEP	1		
4	50617-445-840	SPRING, R. STEP RETURN	1		
5	50619-K45-N00	PLATE, STEP SETTING	2		
6	50639-ML0-010	PIN, STEP BAR	2		
7	50642-MM5-000	ARM, L. STEP	1		
8	50643-KYJ-900	PIVOT, CHANGE PEDAL	1		
9	50644-445-840	SPRING, L. STEP RETURN	1		
10	50661-K45-N00	RUBBER, MAIN STEP	2		
11	50700-K45-N00	HOLDER, L. STEP	1		
12	50711-KYJ-900	WEIGHT, STEP HOLDER	1		
13	50715-K45-N00	HOLDER, R. PILLION STEP	1		
14	50718-MEE-000	PLATE, PILLION STEP CLICK	2		
15	50720-KT7-761	BAR, R. PILLION STEP	1		
16	50725-K45-N00	HOLDER, L. PILLION STEP	1		
17	50730-KT7-761	BAR, L. PILLION STEP	1		
18	90115-MV9-000	BOLT, MAIN STEP RUBBER SETTING	4		
19	90128-KET-900	BOLT, SOCKET, 8X22	8		
20	92501-08008-0A	BOLT, CAP, 8X8	2		
21	94050-08081	NUT, FLANGE, 8MM	1		
22	94101-06000	WASHER, PLAIN, 6MM	2		
23	94102-08000	WASHER, PLAIN, 8MM	2		
24	94103-06700	WASHER, PLAIN, 6MM	1		
25	94201-16150	PIN, SPLIT, 1.6X15	2		