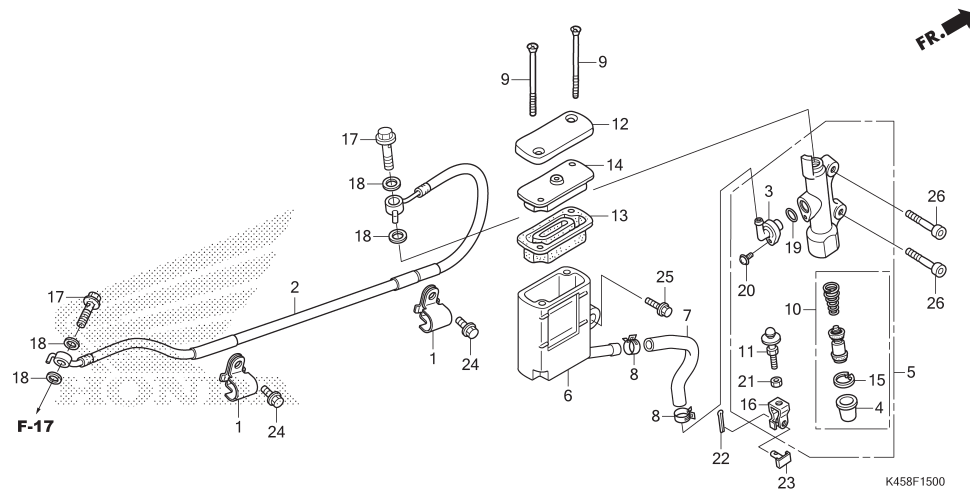


# F-15

# REAR BRAKE MASTER CYLINDER



No. Ref.	L.O.N.	(Nomor ref. relatif) Deskripsi	F.R.T.
2	712130	HOSE, REAR BRAKE ..... .TERMASUK: Pembuangan udara palsu	0,5
5	712125	CYLINDER, REAR BRAKE MASTER ..... .TERMASUK: Pembuangan udara palsu	0,6
6	7121F6	CUP, REAR MASTER CYLINDER OIL ..... .TERMASUK: Pembuangan udara palsu	0,2
7	7121C2	HOSE, REAR MASTER CYLINDER OIL CUP ..... .TERMASUK: Pembuangan udara palsu	0,3
10	7121H0	PISTON SET, REAR BRAKE MASTER ..... .TERMASUK: Pembuangan udara palsu	0,6
13	7121G7	DIAPHRAGM, REAR BRAKE MASTER CYLINDER .....	0,2

No. Ref.	No. Part	Deskripsi	Jumlah CBR150R F	No. Seri	Kode Parts Catalog
1	43155-K15-900	CLAMPER, RR. BRAKE HOSE .....	2		
2	43310-K45-N01	HOSE COMP., RR. BRAKE .....	1		
3	43503-MR7-007	CONNECTOR .....	1		
4	43504-MB2-007	BOOT COMP. ....	1		
5	43510-K45-N01	CYLINDER SUB ASSY., RR. BRAKE MASTER .....	1		
6	43511-KYJ-901	CUP, MASTER CYLINDER OIL .....	1		
7	43512-KYJ-901	HOSE, RR. MASTER CYLINDER .....	1		
8	43514-KS6-701	CLAMP, MASTER CYLINDER OIL HOSE .....	2		
9	43516-KYJ-901	SCREW, FLAT, 4X60 .....	2		
10	43520-MJ6-315	PISTON SET, MASTER CYLINDER .....	1		
11	43530-KV3-701	ROD COMP., PUSH .....	1		
12	45513-KWN-671	CAP, MASTER CYLINDER .....	1		
13	45520-GW0-912	DIAPHRAGM .....	1		
14	45521-GW0-913	PLATE, DIAPHRAGM .....	1		
15	46182-MEL-D21	CIRCLIP .....	1		
16	46504-KV6-703	JOINT, BRAKE ROD .....	1		
17	90145-GAZ-981	BOLT, OIL, 10X22 .....	2		
18	90545-300-000	WASHER, OIL BOLT .....	4		
19	91212-422-007	O-RING, 14.8X2.4 .....	1		
20	93893-04012-17	SCREW-WASHER, 4X12 .....	1		
21	94002-08000-0S	NUT, HEX., 8MM .....	1		
22	94201-20150	PIN, SPLIT, 2.0X15 .....	1		
23	95015-54002	PIN D, JOINT .....	1		
24	96001-06010-01	BOLT, FLANGE, 6X10 .....	2		
25	96001-06014-00	BOLT, FLANGE, 6X14 .....	1		