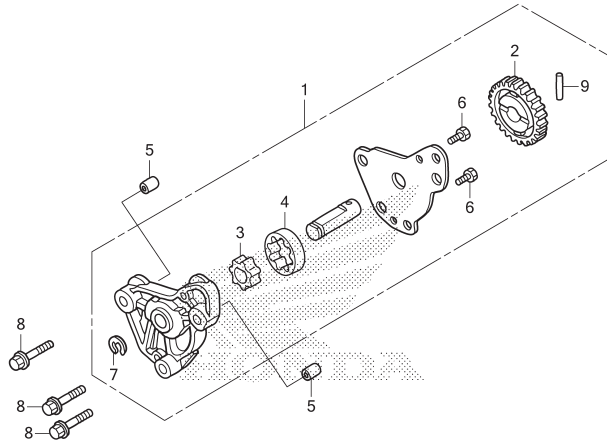


# E-14

# OIL PUMP



K458E1400

No. Ref.	L.O.N.	(Nomor ref. relatif) Deskripsi	F.R.T.
1	113105	PUMP ASSY., OIL (3)	0,9
4	1131C7	ROTOR, OIL PUMP	0,9

No. Ref.	No. Part	Deskripsi	Jumlah CBR150R F	No. Seri	Kode Parts Catalog
1	15100-KPP-T01	OIL PUMP ASSY. ....	1		
2	15133-KPP-T00	GEAR, OIL PUMP DRIVEN(25T) ....	1		
3	15331-436-000	ROTOR, OIL PUMP INNER ....	1		
4	15332-436-000	ROTOR, OIL PUMP OUTER ....	1		
5	90702-KFM-901	DOWEL PIN, 8X12 ....	2		
6	93301-05012-0J	BOLT, HEX., 5X12 ....	2		
7	94540-06018	E-RING, 6MM ....	1		
8	95701-06035-00	BOLT, FLANGE, 6X35 ....	3		
9	96220-40238	ROLLER, 4X23.8 ....	1		

