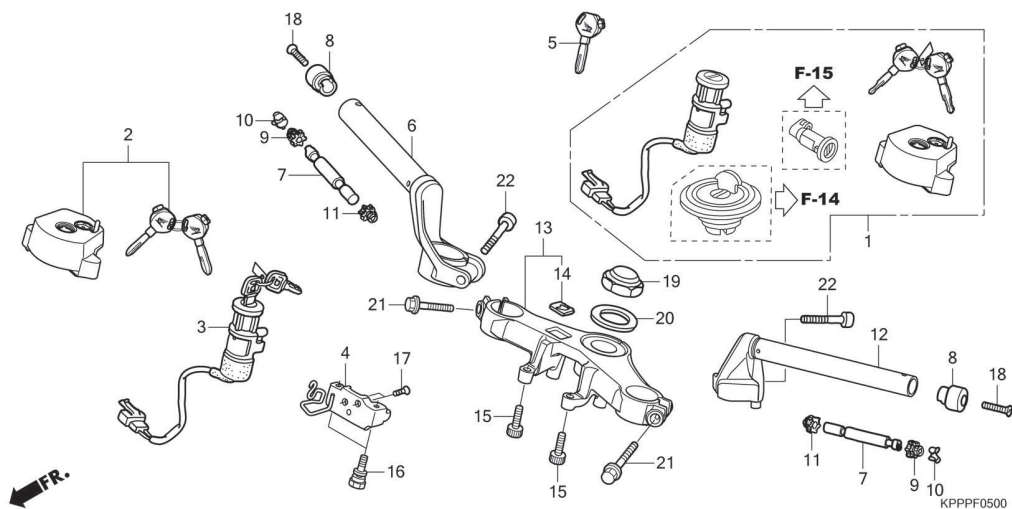


F-5

HANDLE PIPE/TOP BRIDGE



No. Ref.	L.O.N.	(Nomor ref. relatif) Deskripsi	F.R.T.
1	6151A1	KEY SET	1,2
2	6151A2	KEY, SHUTTER..... .TERMASUK: Pemotongan kunci	0,2
3	615145	SWITCH, COMBINATION & LOCK.....	0,9
6	8101B1	PIPE, STEERING HANDLE :RIGHT.....	0,3
7	8101D6	WEIGHT B, HANDLE :LEFT.....	0,2
	8101D7	WEIGHT B, HANDLE :RIGHT.....	0,2
	8101D8	WEIGHT B, HANDLE :BOTH.....	0,4
12	8101B0	PIPE, STEERING HANDLE :LEFT.....	0,4
	8101B2	PIPE, STEERING HANDLE :BOTH.....	0,7
13	510110	BRIDGE, FORK TOP.....	0,8

3

No. Ref.	No. Part	Deskripsi	Jumlah CBR150R C	No. Seri	Kode Parts Catalog
1	35010-KPP-T00	KEY SET	1		
2	35011-KPP-930	SHUTTER SET, KEY (93KEYTOP2REPORDER) ...	(1)		
3	35100-KPP-T01	SWITCH ASSY., COMBINATION & LOCK	1		
4	35105-KPP-T00	STAY COMP., COMBINATION SWITCH.....	1		
5	35121-KPP-T00	KEY, BLANK (TOKEYTOP2REPORDER)	(1)		
6	53100-KPP-T00	PIPE COMP., R. STEERING HANDLE.....	1		
7	53104-KPP-900	WEIGHT B, HANDLE.....	2		
8	53105-KPP-860	WEIGHT A, STEERING HANDLE	2		
9	53107-MJ0-000	RUBBER B, HANDLE WEIGHT	2		
10	53108-MJ0-000	RING, HANDLE WEIGHT SNAP	2		
11	53109-MV4-000	RUBBER B, HANDLE WEIGHT	2		
12	53150-KPP-T00	PIPE COMP., L. STEERING HANDLE.....	1		
13	53300-KPP-T00ZA	BRIDGE COMP., FORK TOP *NH105* MAT BLACK(#15-#20)	1		
14	86150-KPG-901	EMBLEM, PRODUCT.....	1		
	86150-KPG-902	EMBLEM, PRODUCT	1		
	86150-KTJ-C60	EMBLEM, PRODUCT	1		
15	90105-KPP-930	BOLT, TORX, 6X18	2		
16	90107-KPP-860	BOLT, BREAK OFF	2		
17	90164-028-000	SCREW, U-LOCK FLAT, 6X12	2		
18	90191-KPH-970	SCREW, OVAL, 6X65	2		
19	90305-KGH-900	NUT, STEERING STEM	1		