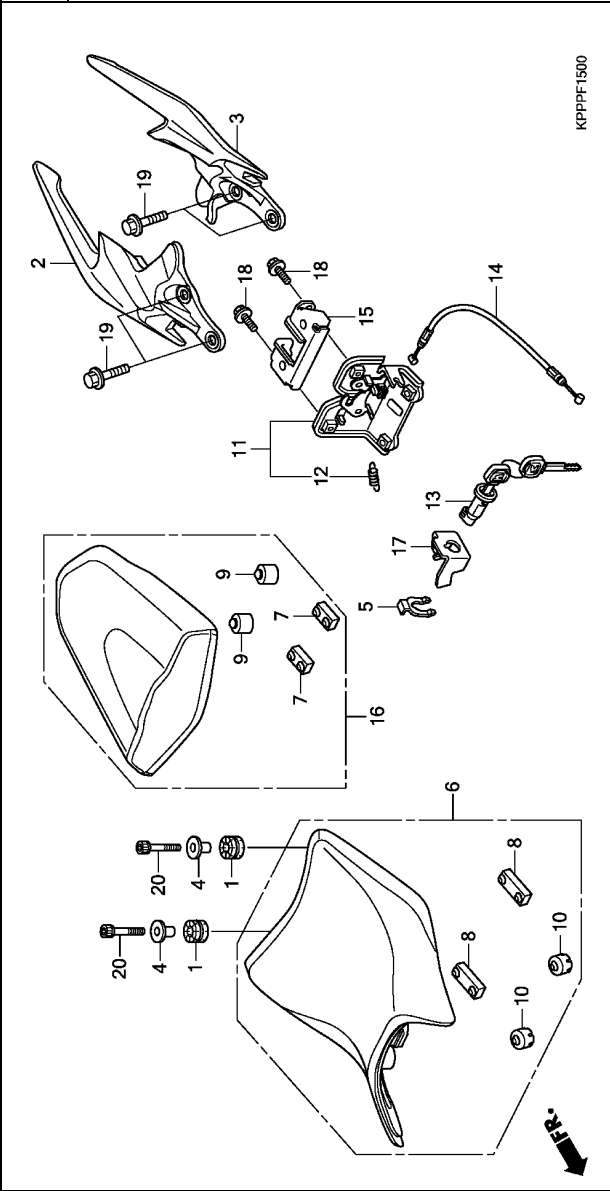


Ref. No.	L.O.N.	(Relative ref. Number)	Description	F.R.T.
2	4131F4		RAIL, GRAB :RIGHT	0.1
3	4131F3		RAIL, GRAB :LEFT	0.1
6	4131F5		RAIL, GRAB :BOTH	0.1
11	4131E8		CATCH, SEAT :REAR SIDE	0.2
13	4131F2		KEY, SEAT LOCK	0.3
14	811175		CABLE, SEAT LOCK	0.3



Ref. No.	Part No.	Description	Reqd. QTY		Serial No.	Parts catalogue code
			CBR150R B	C		
1	33705-KW7-900	RUBBER A, TAILLIGHT MOUNTING	2	2		
2	50315-KPP-T00ZA	GRIP, R. RR. *NH303M*				
3	50325-KPP-T00ZA	GRIP, L. RR. *NH303M*	1	1		
4	61104-428-000	COLLAR, FR. FENDER	1	1		
5	75581-GN8-920	SPRING, LOCK KEY SETTING	2	2		
6	77100-KPP-T00	SEAT COMP., SINGLE	1	1		
7	77205-KPP-T00	RUBBER, SEAT SETTING	2	2		
8	77205-286-000	RUBBER B, SEAT SETTING	2	2		
9	77207-KYJ-900	RUBBER, SEAT CUSHION	2	2		
10	77206-KPP-T00	RUBBER, SEAT CUSHION	2	2		
11	77220-KPP-T00	LOCK COMP., SEAT	1	1		
12	77234-GN2-000	SPRING, SEAT LOCK	1	1		
13	77239-KVB-900	KEY, SEAT LOCK	1	1		
14	77240-KPP-T00	CABLE, SEAT LOCK	1	1		
15	77250-KPP-T00	COVER, SEAT LOCK	1	1		
16	77300-KPP-T00	SEAT COMP., PILLION	1	1		
17	77582-KPP-T00	STAY, SEAT LOCK CABLE	1	1		
18	95701-06012-08	BOLT, FLANGE, 6X12	2	2		
19	95701-08020-00	BOLT, FLANGE, 8X20	4	4		
20	96600-06025-08	BOLT, SOCKET, 6X25	2	2		

