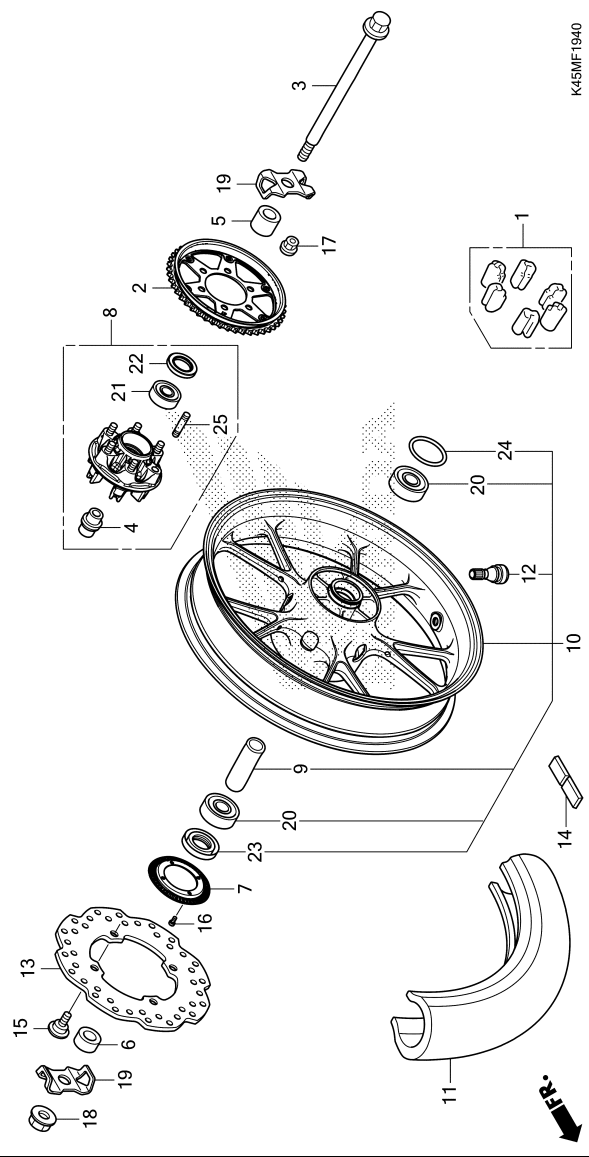




# F-19-40

# REAR WHEEL



Ref. No.	L.O.N.	(Relative ref. Number)	Description	F.R.T.
1	710157	(24)	DAMPER, REAR WHEEL .....	0.3
2	7101A0		SPROCKET, FINAL DRIVEN .....	0.4
3	710160		AXLE, REAR WHEEL .....	0.3
7	7101B1		RING, PULSER :REAR .....	0.4
8	7101A5		FLANGE ASSY., FINAL DRIVEN .....	0.4
10	7101I8		REAR WHEEL .....	1.0
11	710142		.INCLUDES: Balance REAR TIRE(ONE) .....	0.9
13	711145		.INCLUDES: Balance DISC, REAR BRAKE .....	0.4
14	7101E1		WEIGHT, BALANCE :REAR .....	0.6
20	710133		BEARING, REAR WHEEL(ONE) .....	0.5
21	710136		.Replace 1 bearing add .....	0.1
21	7101D1		BEARING, FINAL DRIVEN FLANGE .....	0.5

Ref. No.	Part No.	Description	Reqd. QTY	Serial No.	Parts catalogue code
1	06410-KEA-750	DAMPER SET, WHEEL .....	1		
2	41200-K45-NA0	SPROCKET COMP., FINAL DRIVEN (45T)	1		
	41200-K45-NB1	SPROCKET COMP., FINAL DRIVEN (45T)(RK JAPAN)	1		
3	42301-K45-N00	AXLE, RR. WHEEL .....	1		
4	42303-KPP-T00	SLEEVE, RR. WHEEL .....	1		
5	42311-K45-NB0	COLLAR, L. RR. WHEEL SIDE .....	1		
6	42313-K45-N00	COLLAR, R. RR. WHEEL SIDE .....	1		
7	42515-K45-NM0	RING, RR. PULSER .....	1		
8	42615-K45-NA0ZB	FLANGE SUB ASSY., RR. DRIVEN *NH303M*	1		
9	42620-K45-NB0	COLLAR, RR. AXLE DISTANCE .....	1		9MA, MA
10	42650-K45-NB0ZB	WHEEL SUB ASSY., RR.(WOL) *NH303M*	1		
11	42711-K45-N01	TIRE, RR.(IRC) MAT AXIS GRAY METALLIC (130/70-17 M/C 62P)	1		9MA, MA
12	42753-GM9-743	VALVE, RIM(IRC) .....	1		
	42753-KWF-901	VALVE, RIM(TRITON) .....	1		
	42753-ML7-004	VALVE, RIM(DUNLOP) .....	1		
13	43251-K15-601	DISK, RR. BRAKE .....	1		
14	44721-MGH-H21	WEIGHT, BALANCE(10G) .....	N		
	44722-MGH-H21	WEIGHT, BALANCE(15G) .....	N		