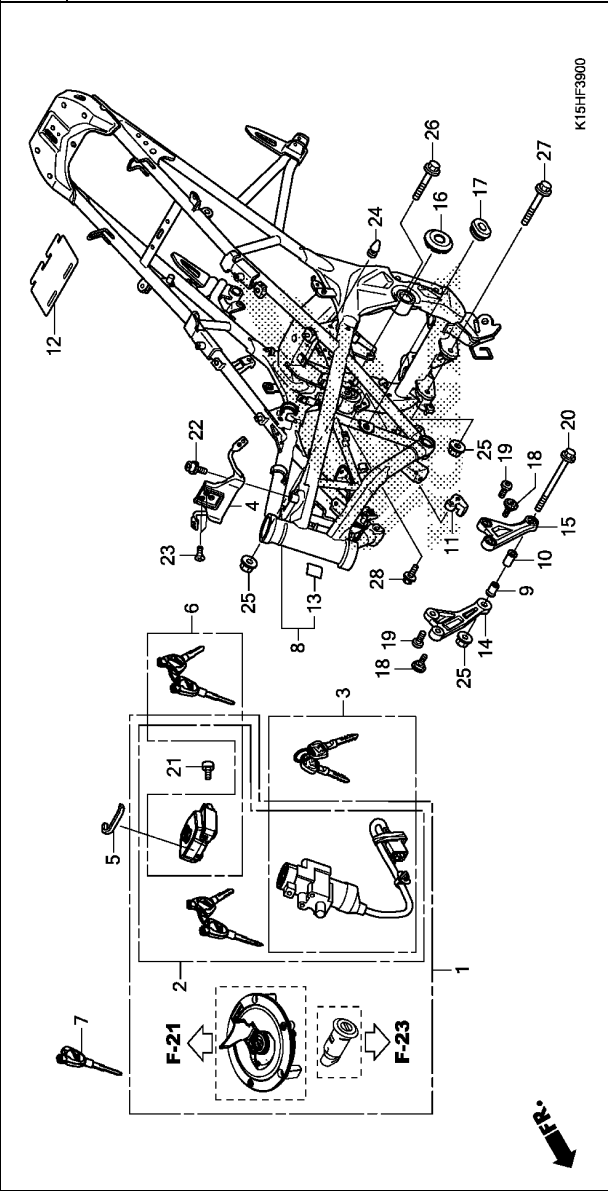


F-39

FRAME BODY

Ref. No.	L.O.N.	(Relative ref. Number)	Description	F.R.T.
1	6151A1	KEY SET	.....	0.8
2	6151A5	SWITCH, COMBINATION & LOCK	.....	0.8
6	6151A2	KEY, SHUTTER	.....	0.7
8	410100	KEY CUTTING	.....	6.3
		EXCLUDES: Key cutting		
		INCLUDES: Engine removal and installation		



Ref. No.	Part No.	Description	Reqd. QTY		Serial No.	Parts catalogue code
			CB	H		
1	35010-K15-920	KEY SET	1			
2	35100-K15-921	SWITCH ASSY., COMBINATION & LOCK(HONDA LOCK)	1			
3	35101-K15-921	SWITCH COMP., COMBINATION & LOCK	1			
4	35105-K15-920	STAY COMP., COMBINATION SWITCH	1			
5	35106-K15-920	RUBBER SPONGE, KEY SHUTTER	1			
6	35110-K56-N01	SHUTTER, KEY	1			
7	35121-K56-N00	KEY, BLANK				
8	50010-K15-920ZA	NOKEYTOP2REORDER) BODY SET, FRAME	(1)			
9	50122-K15-920	*NH1*.....BLACK COLLAR, R. ENGINE MOUNTING	1			
10	50123-K15-920	COLLAR, L. ENGINE MOUNTING	1			
11	50220-K15-920	STOPPER, KICK STARTER	1			
12	50234-K15-900	RUBBER, CROSS PLATE GUARD	1			
13	50251-K15-920	FILM, PROTECTOR	1			
14	50351-K15-920	BRACKET, R. ENGINE HANGER	1			
15	50352-K15-920	BRACKET, L. ENGINE HANGER	1			
16	52161-KYJ-900	CAP, RR. FORK PIVOT	2			
17	83551-300-000	GROMMET, AIR CLEANER CASE	2			
18	90103-K15-920	BOLT, SPECIAL, 8X22	2			
19	90104-K15-920	BOLT, SOCKET, 8X20	2			
20	90111-K15-920	BOLT, FLANGE, 10X239	1			
21	90111-MR5-000	BOLT, SOCKET, 5X9	1			