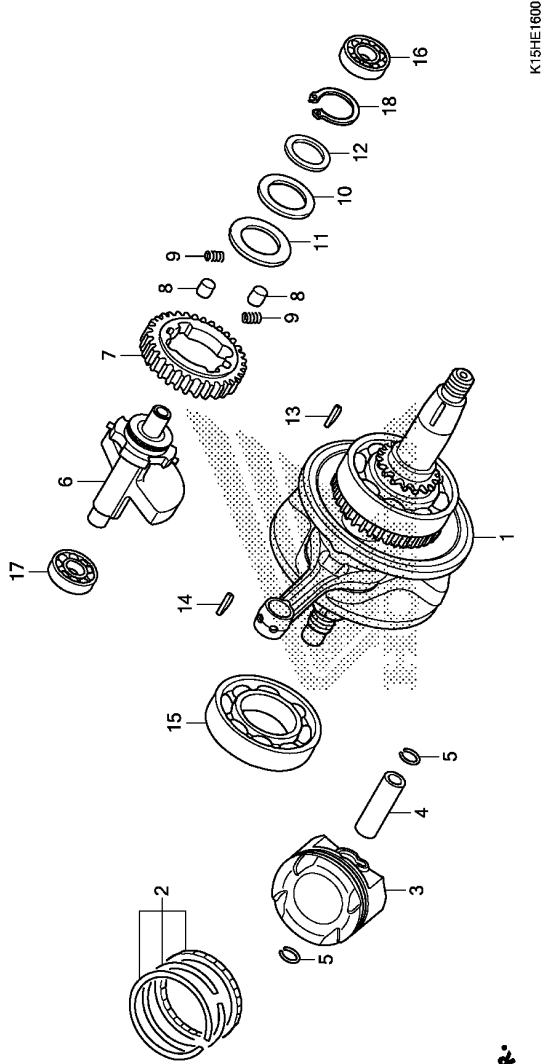


E-16

CRANKSHAFT/PISTON

Ref. No.	L.O.N.	(Relative ref. Number) Description	F.R.T.
1	1101B5	CRANKSHAFT -INCLUDES: Engine removal and installation	5.5
3	111103	PISTON RING AND/OR PISTON(ONE) (2,4,5)	2-6
6	110185	SHAFT, BALANCER -INCLUDES: Engine removal and installation	5-5
7	1101L5	GEAR, BALANCER DRIVEN -INCLUDES: Engine removal and installation	5.5
15	1101B7	BEARING, CRANKSHAFT :RIGHT ... -INCLUDES: Engine removal and installation	5.7
16	1101G3	BEARING, BALANCER SHAFT :LEFT -INCLUDES: Engine removal and installation	5.5
17	1101G4	BEARING, BALANCER SHAFT :RIGHT -INCLUDES: Engine removal and installation	5.7
	1101G5	BEARING, BALANCER SHAFT :BOTH -INCLUDES: Engine removal and installation	5.9



F.R.T. →

Ref. No.	Part No.	Description	Reqd. QTY		Serial No.	Parts catalogue code
			CB 150R	H		
1	13000-K56-N00	CRANKSHAFT COMP.	1			
2	13011-K56-N00	RING SET, PISTON(STD.)	1			
	13021-K56-N00	RING SET, PISTON(O.S. 0.25) ..	(1)			
	13031-K56-N00	RING SET, PISTON(O.S. 0.50) ..	(1)			
3	13101-K56-N00	PISTON(STD)	1			
	13102-K56-N00	PISTON(O.S. 0.25)	(1)			
	13103-K56-N00	PISTON(O.S. 0.50)	(1)			
4	13111-K56-N00	PIN, PISTON	1			
5	13115-KZY-700	CLIP, PISTON PIN, 14MM	2			
6	13420-K56-N00	WEIGHT COMP., BALANCER	1			
7	13422-KPP-860	GEAR A, BALANCER DRIVEN(43T) (WHITE)	1			
	13423-KPP-860	GEAR B, BALANCER DRIVEN(43T) (BLUE)	1			
	13424-KPP-860	GEAR C, BALANCER DRIVEN(43T) (YELLOW)	1			
8	13425-KGH-900	RUBBER, BALANCER DUMPER (TH KOUKOKU RUBBER)	2			
	13425-KWC-901	RUBBER, BALANCER DUMPER(IKP)	2			
9	13427-KPP-860	SPRING, BALANCER GEAR	2			
10	13538-KGH-900	SPRING, THRUST	1			
11	90401-KPP-900	WASHER, 28.2X45X1.0	1			
12	90402-KRM-840	WASHER, 28.1X36X1.8	1			
13	90741-KFB-000	KEY, WOODRUFF, 4MM	1			
14	90741-KGH-900	KEY, WOODRUFF, 4MM	1			
15	91001-K56-N01	BEARING, R. RADIAL BALL, 35X72X15(FUJIKOSHI)	1			