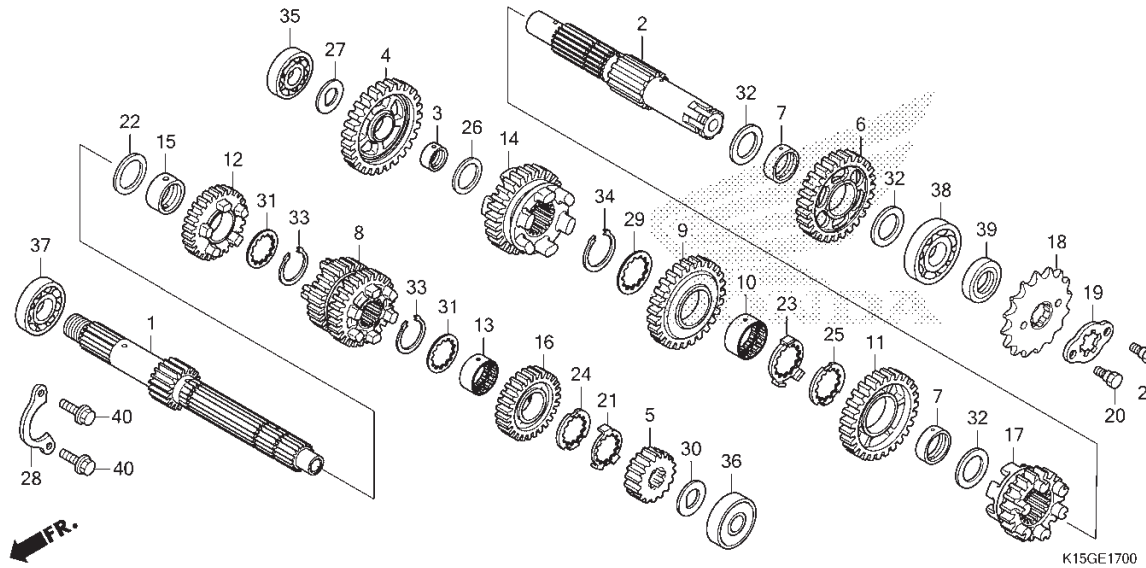


E-17

TRANSMISSION



No. Ref.	L.O.N.	(Nomor ref. relatif) Deskripsi	F.R.T.
+38		.TERMASUK: Penurunan dan pemasangan mesin	
2101C9		BEARING, COUNTERSHAFT :KEDUA-DUANYA	5,9
2101D4		.TERMASUK: Penurunan dan pemasangan mesin BEARING, MAINSHAFT DAN COUNTERSHAFT :SEMUA	6,1
39	2101G7	OIL SEAL, COUNTERSHAFT :LEFTTERMASUK: Penurunan dan pemasangan mesin	5,5

No. Ref.	No. Part	Deskripsi	Jumlah CB150R (CB150R) 2015(G)	No. Seri	Kode Parts Catalog
23	90401-KVK-900	WASHER, LOCK, 20X19X1.0	1		
24	90402-K56-N00	WASHER, SPLINE, 17MM	1		
25	90402-KVK-900	WASHER, THRUST, 20X19X1.0	1		
26	90412-187-001	WASHER, THRUST, 15MM	1		
27	90412-K56-N00	WASHER, SPECIAL, 15MM	1		
28	90441-KW7-931	PLATE, BEARING HOLDER	1		
29	90451-K56-N00	WASHER, SPLINE, 20MM	1		
30	90452-KGH-901	WASHER, SPECIAL, 12MM	1		
31	90452-KRM-840	WASHER, SPLINE, 17X23X1.6	2		
32	90454-KPH-900	WASHER, 25X20.2X1	3		
33	90601-KRM-840	CIRCLIP, 17MM	2		
34	90605-KVS-900	SET RING, 20MM	1		
35	91004-K56-N01	BEARING, RADIAL BALL, 6202U ...	1		
36	91005-K56-N01	BEARING, RADIAL BALL, 6201U ...	1		
37	91006-K56-N01	BEARING, RADIAL BALL, 6203 (SK)	1		
	91006-K56-N02	BEARING, RADIAL BALL, 6203 (FK)	1		
38	91010-K56-N01	BEARING, RADIAL BALL, 6204	1		
39	91216-KGH-902	OIL SEAL, 20X34X7	1		
40	95701-06014-0	BOLT, FLANGE, 6X14	2		

2