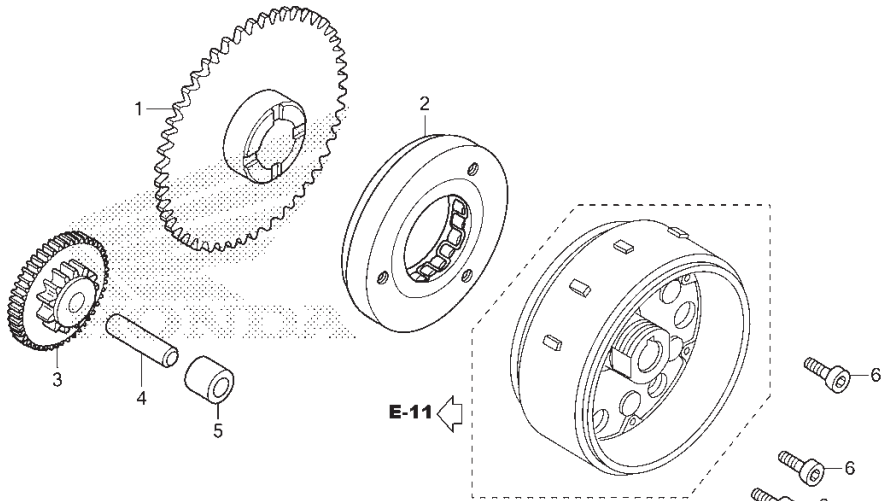


E-9

STARTING CLUTCH



K15GE0900

No. Ref.	L.O.N.	(Nomor ref. relatif) Deskripsi	F.R.T.
1	612120	GEAR, STARTER DRIVEN	0,7
2	612131	OUTER, STARTING CLUTCH	0,8
3	612125	GEAR, STARTER REDUCTION	0,7

No. Ref.	No. Part	Deskripsi	Jumlah CB150R (CB150R) 2015(G)	No. Seri	Kode Parts Catalog
1	28110-KGH-911	GEAR COMP., STARTER DRIVEN (53T)	1		
2	28125-HC3-017	OUTER COMP., STARTING CLUTCH ..	1		
3	28131-K15-901	GEAR, STARTER REDUCTION (13T/53T)	1		
4	28132-KGH-911	SHAFT, REDUCTION GEAR	1		
5	28133-KPP-901	COLLAR, STARTER REDUCTION	1		
6	90010-KM1-001	BOLT, SOCKET, 8X18	3		