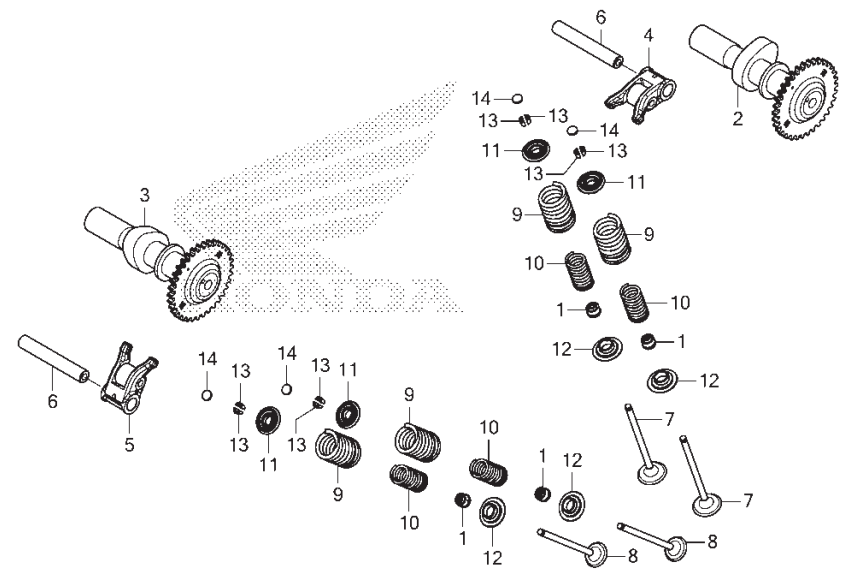


E-3

CAMSHAFT/VALVE



K15GE0300

No. Ref.	L.O.N.	(Nomor ref. relatif) Deskripsi	F.R.T.
2	1111E5	CAMSHAFT :INTAKETERMASUK: Penyetelan renggang klep	1,8
3	1111E6	CAMSHAFT :EXHAUSTTERMASUK: Penyetelan renggang klep	1,8
	1111T4	CAMSHAFT :UNTUK 1 KENDARAANTERMASUK: Penyetelan renggang klep	1,9
4	1111K8	ARM, INTAKE VALVE ROCKER(SATU) .. .TERMASUK: Penyetelan klep	1,7
5	1111K9	ARM, EXHAUST VALVE ROCKER(SATU) . .TERMASUK: Penyetelan klep	1,7
	1111L8	ARM, VALVE ROCKER :UNTUK 1 KENDARAANTERMASUK: Penyetelan klep	1,7
7	1111N0	VALVE, INTAKE(SATU)TERMASUK: Skir klep	2,7
	1111NOA	.Ganti semua intake valve tambahkan	0,2
8	1111N1	VALVE, EXHAUST(SATU)TERMASUK: Skir klep	2,7
	1111N1A	.Ganti semua exhaust valve tambahkan	0,2
	1111P0	VALVE :UNTUK 1 KENDARAANTERMASUK: Skir klep (1,10,11,12,13)	3,3
9			
+	1111P2	INTAKE VALVE SPRING DAN/ATAU	

No. Ref.	No. Part	Deskripsi	Jumlah CB150R (CB150R) 2015(G)	No. Seri	Kode Parts Catalog
1	12209-K56-N01	SEAL, VALVE STEM(NO)	4		
	12209-MLO-722	SEAL, VALVE STEM(AR)	4		
2	14110-K56-N00	CAMSHAFT COMP., IN.	1		
3	14210-K56-N00	CAMSHAFT COMP., EX.	1		
4	14430-K56-N00	ARM COMP., IN. VALVE ROCKER ...	1		
5	14440-K56-N00	ARM COMP., EX. VALVE ROCKER ...	1		
6	14451-K56-N00	SHAFT, ROCKER ARM	2		
7	14711-K56-N00	VALVE, IN.	2		
8	14721-K56-N00	VALVE, EX.	2		
9	14751-K56-N01	SPRING, VALVE OUTER	4		
10	14761-K56-N01	SPRING, VALVE INNER	4		
11	14771-MFL-000	RETAINER, VALVE SPRING	4		
12	14775-K56-N00	SEAT, VALVE SPRING	4		
13	14781-MLO-720	COTTER, VALVE	8		
14	14913-KT7-013	SHIM, TAPPET(1.500)	4		
	14914-KT7-013	SHIM, TAPPET(1.525)	4		
	14915-KT7-013	SHIM, TAPPET(1.550)	4		
	14916-KT7-013	SHIM, TAPPET(1.575)	4		
	14917-KT7-013	SHIM, TAPPET(1.600)	4		
	14918-KT7-013	SHIM, TAPPET(1.625)	4		
	14919-KT7-013	SHIM, TAPPET(1.650)	4		
	14920-KT7-013	SHIM, TAPPET(1.675)	4		
	14921-KT7-013	SHIM, TAPPET(1.700)	4		
	14922-KT7-013	SHIM, TAPPET(1.725)	4		
	14923-KT7-013	SHIM, TAPPET(1.750)	4		

