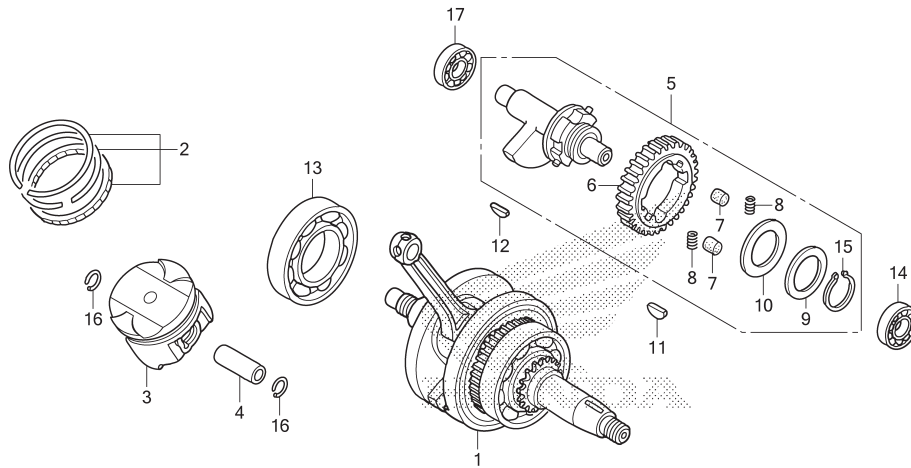


E-16

CRANK SHAFT/PISTON



No. Ref.	L.O.N.	(Nomor ref. relatif) Deskripsi	F.R.T.
1	1101B5	CRANKSHAFTTERMASUK: penurunan dan pemasangan mesin (2,4,16)	5,1
3	111103	PISTON RING DAN/ATAU PISTON(SATU) ...	3,0
5	1101L7	BALANCER SETTERMASUK: penurunan dan pemasangan mesin (7,8)	5,1
6	1101L5	GEAR, BALANCER DRIVENTERMASUK: penurunan dan pemasangan mesin	5,2
13	1101B7	BEARING, CRANKSHAFT :KANANTERMASUK: penurunan dan pemasangan mesin	5,3
14	1101G3	BEARING, BALANCER SHAFT :KIRITERMASUK: penurunan dan pemasangan mesin	5,3



No. Ref.	No. Part	Deskripsi	Jumlah CB150R 2012	No. Seri	Kode Parts Catalog
1	13000-K15-900	CRANKSHAFT COMP.	1		
2	13011-KPP-900	RING SET, PISTON(STD.)	1		
	13021-KPP-900	RING SET, PISTON(0.25)	(1)		
	13031-KPP-900	RING SET, PISTON(0.50)	(1)		
	13041-KPP-900	RING SET, PISTON(0.75)	(1)		
	13051-KPP-900	RING SET, PISTON(1.00)	(1)		
3	13101-K15-901	PISTON(STD.)	1		
	13102-KPP-T00	PISTON(0.25)	(1)		
	13103-KPP-T00	PISTON(0.50)	(1)		
	13104-KPP-T00	PISTON(0.75)	(1)		
	13105-KPP-T00	PISTON(1.00)	(1)		
4	13111-KPP-900	PIN, PISTON	1		
5	13400-K15-900	BALANCER ASSY.	1		
6	13422-KPP-860	GEAR A, BALANCER DRIVEN(43T) (WHITE)	1		
	13423-KPP-860	GEAR B, BALANCER DRIVEN(43T) (BLUE)	1		
	13424-KPP-860	GEAR C, BALANCER DRIVEN(43T) (YELLOW)	1		
7	13425-KGH-900	RUBBER, BALANCER DUMPER(IKP)	2		
	13425-KWC-900	RUBBER, BALANCER DUMPER .. (TH KOUKOKU RUBBER)	2		
8	13427-KPP-860	SPRING, BALANCER GEAR	2		
9	13538-KGH-901	SPRING, THRUST	1		
10	90401-KPP-900	WASHER, 28.2X45X1.0	1		
11	90741-KFB-001	KEY, WOODRUFF, 4MM	1		
12	90741-KGH-900	KEY, WOODRUFF, 4MM	1		
13	91001-KPP-901	BEARING, R. RADIAL BALL SPECIAL, 6207	1		
14	91003-KPP-931	BEARING, RADIAL BALL, 6201	1		
15	94510-28000	CIRCLIP, EXTERNAL, 28MM	1		