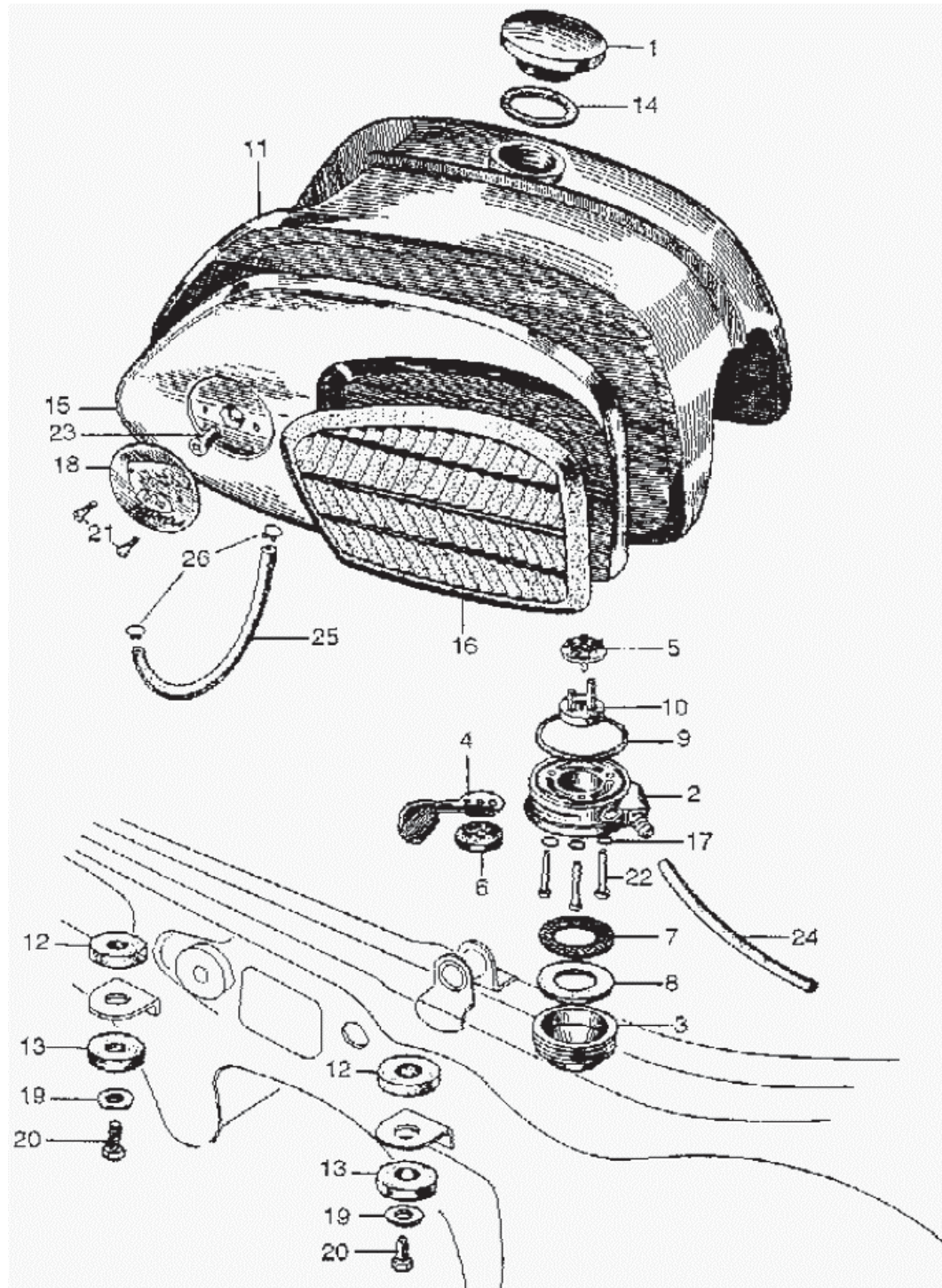


1	CAP, FUEL FILLER	17620-259-000
1	CAP, FUEL FILLER	17620-292-020
1	CAP, FUEL FILLER	17620-317-000
1	CAP, FUEL FILLER	17620-329-000
1	CAP, FUEL FILLER	17620-329-010
1	CAP, FUEL FILLER	17620-402-000
1	CAP, FUEL FILLER	17620-402-010
2	PETCOCK ASSY.	16950-202-000
2	PETCOCK ASSY.	16950-257-000
2	PETCOCK ASSY.	16950-259-010
2	BODY, PETCOCK	16951-202-000
2	BODY, PETCOCK	16951-259-010
3	CAP, FUEL STRAINER	16952-257-000
4	LEVER, PETCOCK	16953-250-010
5	PLATE, PETCOCK	16954-250-000
6	GASKET B, PETCOCK	16956-250-010
7	SCREEN	16957-250-010
8	GASKET	16958-250-010
9	GASKET, PETCOCK	16959-250-000
10	GASKET A, PETCOCK	16995-250-020
11	TANK, FUEL	17500-212-000Z
11	TANK, FUEL	17500-212-010Z
12	RUBBER, FR.	17611-200-010
12	RUBBER, FUEL TANK	17611-259-000
13	RUBBER B, RR.	17614-259-000
14	GASKET	17631-259-000
14	GASKET	17631-329-000
14	GASKET	17631-329-003
15	COVER, R.	17640-212-000
15	COVER, L.	17681-212-000
16	RUBBER, R. KNEE GRIP	17661-212-000
16	RUBBER, L. KNEE GRIP	17662-212-000
17	GASKET, PETCOCK	17993-250-000
18	EMBLEM, L. FUEL TANK	87020-070-010
18	EMBLEM, L.	87121-028-600
18	EMBLEM, R. FUEL TANK	87121-030-000
18	EMBLEM, R. FUEL TANK	87121-056-000
18	EMBLEM, R. FUEL TANK	87121-200-020
18	EMBLEM, R. FUEL TANK	87121-201-010
18	EMBLEM, R. FUEL TANK	87121-217-000
18	EMBLEM, L.	87122-028-600
18	EMBLEM, L. FUEL TANK	87122-030-000
18	EMBLEM, R. FUEL TANK	87122-056-000
18	EMBLEM, R. FUEL TANK	87122-200-020
18	EMBLEM, L.	87122-201-010
18	EMBLEM, R. FUEL TANK	87122-217-000
19	WASHER (8.5MM)	90521-259-000
20	BOLT, HEX. (8X12)	92000-08012
20	BOLT, HEX. (8X12)	92000-08012-0A
20	BOLT, HEX. (8X12)	92100-08012-0A
20	BOLT, HEX. (8X12)	92200-08012-0A
21	SCREW, PAN (3X8)	93500-03008-0B
21	SCREW, PAN (3X8)	93500-03008-02
22	SCREW, PAN (5X24)	93500-05024
22	SCREW, PAN (5X25)	93500-05025
22	SCREW, PAN (5X25)	93500-05025-0A



Continued on previous page