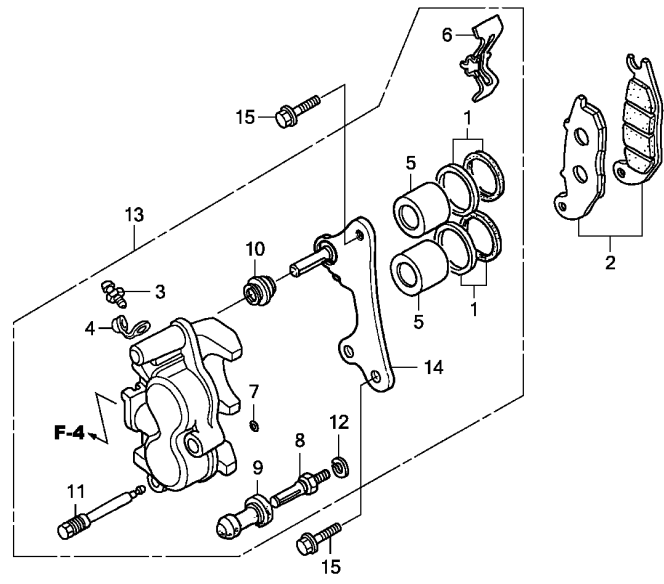


F-9

FRONT BRAKE CALIPER

F 9



KPGPF0900
FR. →

Ref. No.	L.O.N.	(Relative ref. Number) Description	F.R.T.
2	711115	SHOE(PAD) SET, BRAKE :FRONT ..	0.1
5		(1)	
	7111D1	PISTON, FRONT BRAKE CALIPER ..	0.5
		.INCLUDES: Bleed brakes	
		.NOTE: Same time for two units	
13	711130	CALIPER, FRONT BRAKE	0.4
		.INCLUDES: Bleed brakes	
14	7111G0	BRACKET, FRONT CALIPER	0.2

3

Ref. No.	Part No.	Description	Reqd. QTY	Serial No.	Parts catalogue code
			ZN125M		
			9		
1	06451-GE2-405	SEAL SET, PISTON	2		
2	06455-KPY-933	PAD SET, FR. BRAKE	1		
3	43352-568-003	SCREW, BLEEDER (NISSIN)	1		
4	43353-461-771	CAP, BLEEDER	1		
5	45107-GE2-006	PISTON	2		
6	45108-KPH-951	SPRING, PAD	1		
7	45111-MAJ-G41	RING, STOPPER	1		
8	45131-GZ0-006	BOLT, PIN	1		
9	45132-166-016	BOOT, PIN BUSH (NISSIN)	1		
10	45133-MA3-006	BOOT B	1		
11	45215-KPH-951	PIN, HANGER	1		
12	45216-166-006	WASHER, WAVE	1		
13	45250-KPY-931	CALIPER SUB ASSY., R. FR.	1		
14	45290-KPP-901	BRACKET SUB ASSY., R. FR.	1		
15	90131-KGH-900	BOLT, FLANGE, 8X25	2		