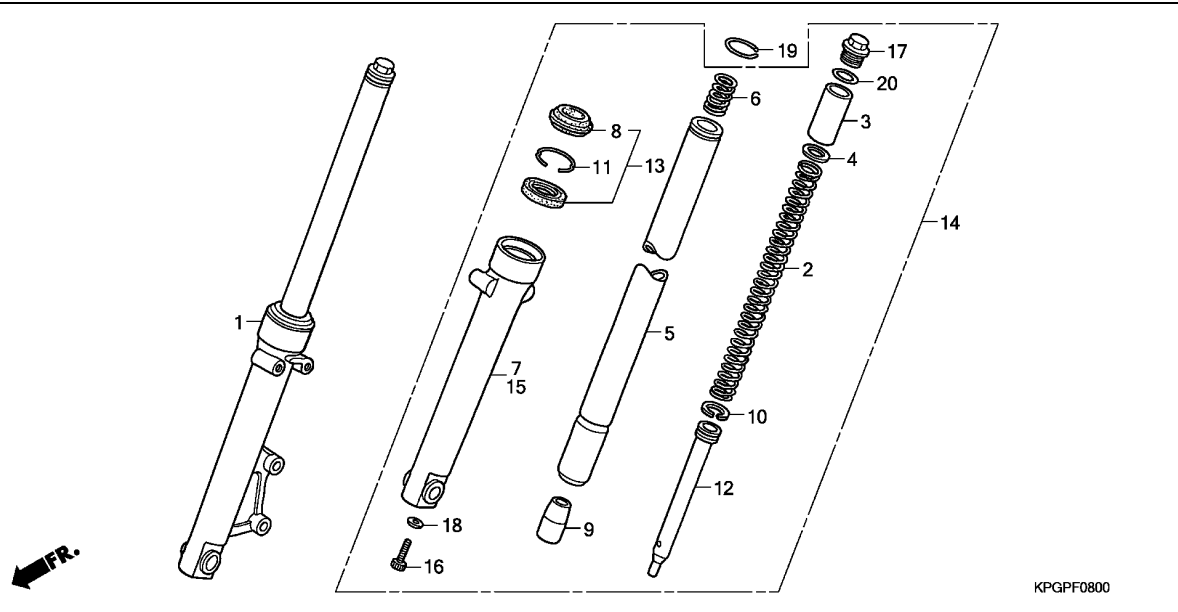


F-8

FRONT FORK

F 8



Ref. No.	L.O.N.	(Relative ref. Number) Description	F.R.T.
1	5111C3	FORK ASSY., FRONT :RIGHT	0.4
	5111C4	FORK ASSY., FRONT :BOTH	0.6
2	5111C5	SPRING, FRONT FORK :LEFT	0.2
	5111C6	SPRING, FRONT FORK :RIGHT	0.2
	5111C7	SPRING, FRONT FORK :BOTH	0.4
5		(6,10,12)	
	5111G2	PIPE, FRONT FORK :LEFT	0.7
	5111G3	PIPE, FRONT FORK :RIGHT	0.7
	5111G4	PIPE, FRONT FORK :BOTH	1.2
7	5111D2	CASE, BOTTOM :RIGHT	0.8
	5111D3	CASE, BOTTOM :BOTH	1.4
13	5111E7	SEAL SET, FRONT FORK :LEFT	0.8
	5111E8	SEAL SET, FRONT FORK :RIGHT	0.8
	5111E9	SEAL SET, FRONT FORK :BOTH	1.4
14	5111C2	FORK ASSY., FRONT :LEFT	0.4
	5111C4	FORK ASSY., FRONT :BOTH	0.6
15	5111D1	CASE, BOTTOM :LEFT	0.8
	5111D3	CASE, BOTTOM :BOTH	1.4

Ref. No.	Part No.	Description	Reqd. QTY ZN125M 9	Serial No.	Parts catalogue code
1	51400-KPG-960	FORK ASSY., R. FR.	1		
2	51401-KGH-901	SPRING, FR. FORK	2		
3	51402-KGH-901	COLLAR, SPRING	2		
4	51403-GF4-003	JOINT, FR. CUSHION SPRING	2		
5	51410-KPG-771	PIPE COMP., FR. FORK	2		
6	51412-GN5-901	SPRING, REBOUND	2		
7	51420-KPY-711	CASE COMP., R. FR. BOTTOM	1		
8	51425-GN5-901	DUST SEAL	2		
9	51432-KGH-901	PIECE, OIL LOCK	2		
10	51437-KGH-901	RING, PISTON	2		
11	51466-065-901	RING, OIL SEAL STOPPER	2		
12	51470-KGH-901	PIPE, SEAT	2		
13	51490-KGH-901	SEAL SET, FR. FORK	2		
14	51500-KPG-960	FORK ASSY., L. FR.	1		
15	51520-KPY-711	CASE, L. FR. BOTTOM	1		
16	90116-KV3-701	BOLT, SOCKET, 8MM	2		
17	90123-KW7-901	BOLT, FORK	2		
18	90544-283-000	WASHER, SPECIAL, 8MM	2		
19	90651-KW7-900	RING, SNAP	2		
20	91256-166-003	O-RING, 16.8X2.4	2		

