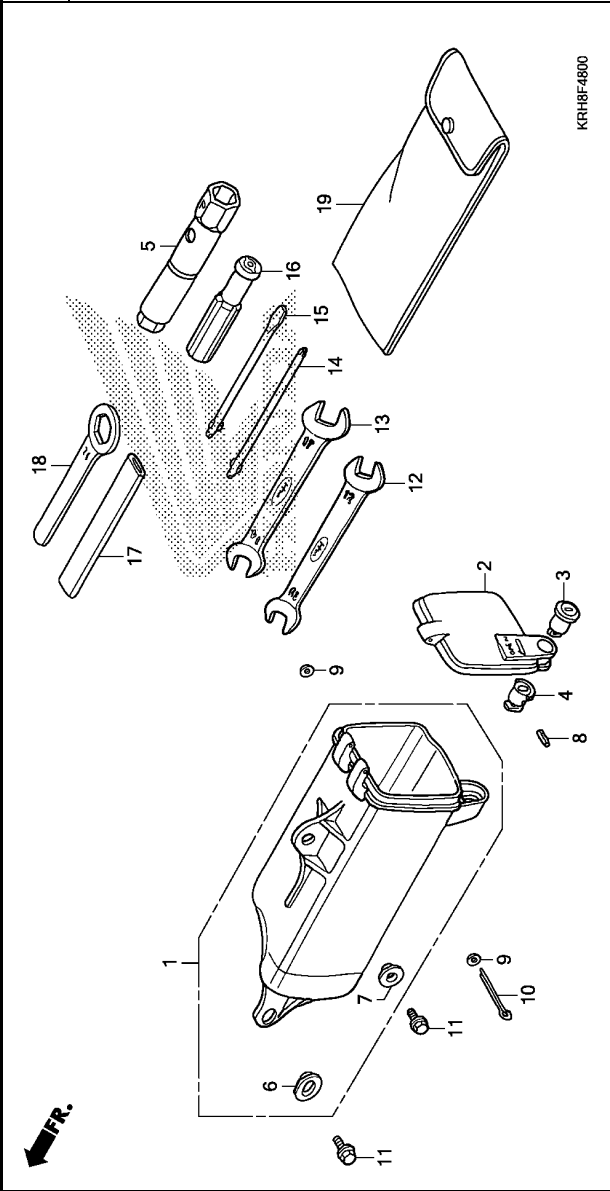


|          |        |                        |        |
|----------|--------|------------------------|--------|
| Ref. No. | L.O.N. | (Relative ref. Number) | F.R.T. |
|          |        | Description            |        |
| 1        | 410190 | BOX OR BAG, TOOL       | 0.2    |
| 2        | 4101B1 | COVER, TOOL BOX        | 0.2    |



| Ref. No. | Part No.       | Description                 | Reqd. QTY         | Serial No. | Parts catalogue code |
|----------|----------------|-----------------------------|-------------------|------------|----------------------|
|          |                |                             | XR150<br>LEK<br>E |            |                      |
| 1        | 83502-KRH-900  | BOX, TOOL                   | 1                 |            |                      |
| 2        | 83504-KRH-900  | CAP, TOOL BOX               | 1                 |            |                      |
| 3        | 83507-422-000  | BODY, KEY                   | 1                 |            |                      |
| 4        | 83508-MR4-900  | STOPPER, KEY BODY           | 1                 |            |                      |
| 5        | 89216-KRH-660  | WRENCH, SPARK PLUG          | 1                 |            |                      |
| 6        | 90505-KRH-900  | WASHER, 6X9                 | 1                 |            |                      |
| 7        | 90512-KRH-900  | WASHER, 6.5X20              | 1                 |            |                      |
| 8        | 91501-MR4-900  | PIN, SPRING, 2X14           | 1                 |            |                      |
| 9        | 94101-03000    | WASHER, PLAIN, 3MM          | 2                 |            |                      |
| 10       | 94201-30450    | PIN, SPLIT, 3.0X45          | 1                 |            |                      |
| 11       | 95701-06012-00 | BOLT, FLANGE, 6X12          | 2                 |            |                      |
| 12       | 99001-10120    | SPANNER, 10X12              | 1                 |            |                      |
| 13       | 99001-14170    | SPANNER, 14X17              | 1                 |            |                      |
| 14       | 99003-10000    | DRIVER 1, PLUS SCREW(NO.2)  | 1                 |            |                      |
| 15       | 99003-30000    | DRIVER 3, MINUS SCREW(NO.2) | 1                 |            |                      |
| 16       | 99003-50000    | GRIP, SCREW DRIVER          | 1                 |            |                      |
| 17       | 99006-12000    | HANDLE, EYE WRENCH, 12MM    | 1                 |            |                      |
| 18       | 99006-24000    | WRENCH, EYE, 24MM           | 1                 |            |                      |
| 19       | 99008-01600    | BAG, TOOL, 160MM            | 1                 |            |                      |