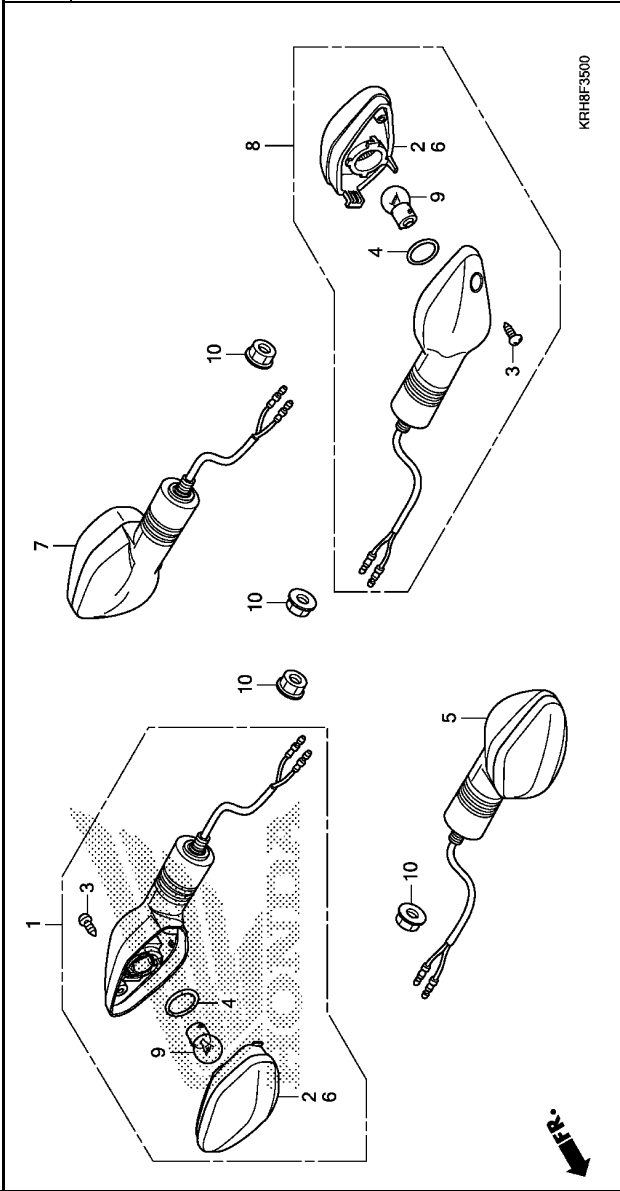


Ref. No.	L.O.N.	(Relative ref. Number)	Description	F.R.T.
1	6161C4		WINKER :RIGHT FRONT	0.2
5	6161C3		WINKER :LEFT FRONT	0.2
7	6161C5		WINKER :BOTH FRONT	0.2
8	6161C7		WINKER :RIGHT REAR	0.3
8	6161C6		WINKER :LEFT REAR	0.3
9	6161C8		WINKER :BOTH REAR	0.4
	616133		BULB, WINKER :FRONT	0.1
	616139		-NOTE: Same time for two units BULB, WINKER :REAR	0.1
	6161G0		-NOTE: Same time for two units BULB, WINKER :FOR 1 VEHICLE ..	0.2



Ref. No.	Part No.	Description	Reqd. QTY	Serial No.	Parts catalogue code
			XR150		
			LEK		
			E		
1	33400-KRH-601	WINKER ASSY., R. FR. (12V 10W)	1		
2	33403-KRH-601	LENS COMP., R.	2		
		(R. FR./L. RR.)	4		
3	33405-KRH-600	SCREW, TAPPING, 4X13	4		
4	33407-GGL-A01	PACKING	4		
5	33450-KRH-601	WINKER ASSY., L. FR. (12V 10W)	1		
6	33453-KRH-601	LENS COMP., L.	2		
		(L. FR./R. RR.)	1		
7	33600-KRH-601	WINKER ASSY., R. RR. (12V 10W)	1		
8	33650-KRH-601	WINKER ASSY., L. RR. (12V 10W)	1		
9	34907-KYS-941	BULB (12V 10W) (AMBER)	4		
10	94050-10000	NUT, FLANGE, 10MM	4		