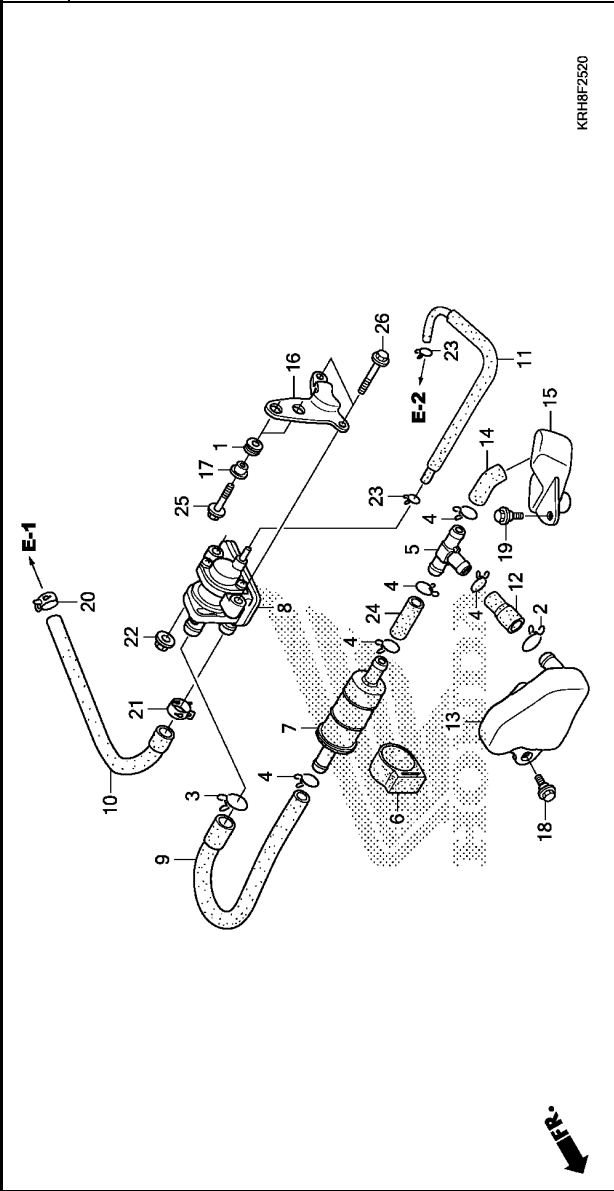


F-25-20

AIR SUCTION VALVE

G 6

Ref. No.	L.O.N.	(Relative ref. Number)	F.R.T.
8	314130	VALVE, SECONDARY AIR CONTROL - 0.3	0.3



Ref. No.	Part No.	Description	Reqd. QTY		Serial No.	Parts catalogue code
			XR150	LEK		
1	11344-KRH-900	GROMMET A, RR. COVER	2			
2	15771-KV6-000	CLIP, OIL DRAIN TUBE	1			
3	15772-GW3-980	CLIP, BREATHER TUBE	1			
4	15772-500-013	CLIP, BREATHER TUBE	5			
5	16180-KRH-901	T-JOINT	1			
6	16905-KRH-900	CUSHION, FUEL STRAINER	1			
7	17260-KRH-900	FILTER COMP., AIR	1			
8	18600-KRH-651	VALVE ASSY., AIR SUCTION	1			
9	18601-KRH-D20	TUBE, SUCTION	1			
10	18602-KRH-A00	TUBE, REED VALVE	1			
11	18604-KRH-A00	TUBE, AIR SUCTION VALVE	1			
12	18605-KRH-D20	TUBE, EXCHANGE	1			
13	18610-KRH-D20	SUB TANK, RESONATOR	1			
14	18656-KRH-900	TUBE A, INNLET	1			
15	18657-KRH-D20	CASE, WATER INLET	1			
16	50543-KRH-A00	BRACKET, AIR SUCTION VALVE	1			
17	83119-KRH-900	COLLAR, LOCK SETTING	2			
18	90101-KRH-900	BOLT, FLANGE, 6MM	1			
19	90110-KRH-900	BOLT, FLANGE, 6MM	1			
20	90678-KRH-900	CLIP, HOSE	1			
21	91405-KRH-900	CLAMP, TUBE (D17)	1			
22	94050-06000	NUT, FLANGE, 6MM	2			
23	95002-02070	CLIP, TUBE (B7)	2			
24	95005-80035-20	TUBE, 8X35(95005-80001-20M)	1			