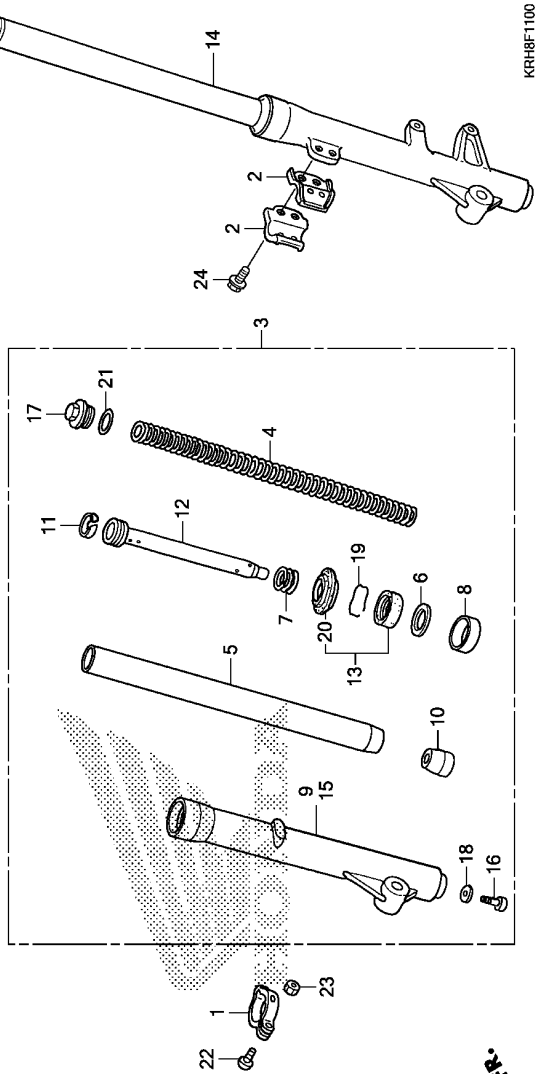


Ref. No.	L.O.N.	(Relative ref. Number)	Description	F.R.T.
3	5111C3		FORK ASSY., FRONT :RIGHT	0.4
4	5111C5		SPRING, FRONT FORK :LEFT	0.2
	5111C6		SPRING, FRONT FORK :RIGHT	0.2
	5111C7		SPRING, FRONT FORK :BOTH (7,8,10,11,12)	0.4
5	5111G2		PIPE, FRONT FORK :LEFT	0.8
	5111G3		PIPE, FRONT FORK :RIGHT	0.8
	5111G4		PIPE, FRONT FORK :BOTH	1.3
9	5111D2		CASE, BOTTOM :RIGHT	0.8
13	5111E7		SEAL SET, FRONT FORK :LEFT	0.8
	5111E8		SEAL SET, FRONT FORK :RIGHT	0.8
	5111E9		SEAL SET, FRONT FORK :BOTH	1.3
14	5111C4		FORK ASSY., FRONT :LEFT	0.4
15	5111D1		FORK ASSY., FRONT :BOTH	0.6
	5111D3		CASE, BOTTOM :LEFT	0.8
			CASE, BOTTOM :BOTH	1.3



Ref. No.	Part No.	Description	Reqd. QTY	Serial No.	Parts catalogue code
1	44832-KRH-900	CLAMPER, SPEEDOMETER CABLE	1		
2	45461-KRH-900	CLAMPER A, BRAKE HOSE	2		
3	51400-KRH-901	FORK ASSY., R. FR.	1		
4	51401-KRH-901	SPRING, FR. FORK	2		
5	51410-KRH-901	PIPE COMP., FR. FORK	2		
6	51412-GGC-901	WASHER, OIL SEAL (CHUANNAN ABSORBER)	2		
7	51413-KRH-901	SPRING, REBOUND	2		
8	51414-GFM-J11	GUIDE, FR. FORK (CHUANNAN ABSORBER)	2		
9	51420-KRH-901	CASE, R. BOTTOM	1		
10	51432-KRH-901	PIECE, OIL LOCK	2		
11	51437-KRH-901	RING, PISTON	2		
12	51440-KRH-901	PIPE, SEAT	2		
13	51490-KRH-901	SEAL SET, FR. FORK	2		
14	51500-KRH-901	FORK ASSY., L. FR.	1		
15	51520-KRH-901	CASE, L. BOTTOM	1		
16	90116-KRF-H71	BOLT, SOCKET, 8X30 (CHUANNAN ABSORBER)	2		
17	90123-KRF-H71	BOLT, FR. FORK	2		
18	90544-KRF-H71	WASHER, SPECIAL, 8MM (CHUANNAN ABSORBER)	2		
19	90651-KRF-H71	RING, OIL SEAL STOPPER	2		
20	91254-KRH-901	SEAL, DUST (CHUANNAN ABSORBER)	2		

Reqd. QTY  
XR150  
LEK  
E

Parts catalogue code

Serial No.

Ref. No.

Description

Reqd. QTY

Serial No.

Parts catalogue code