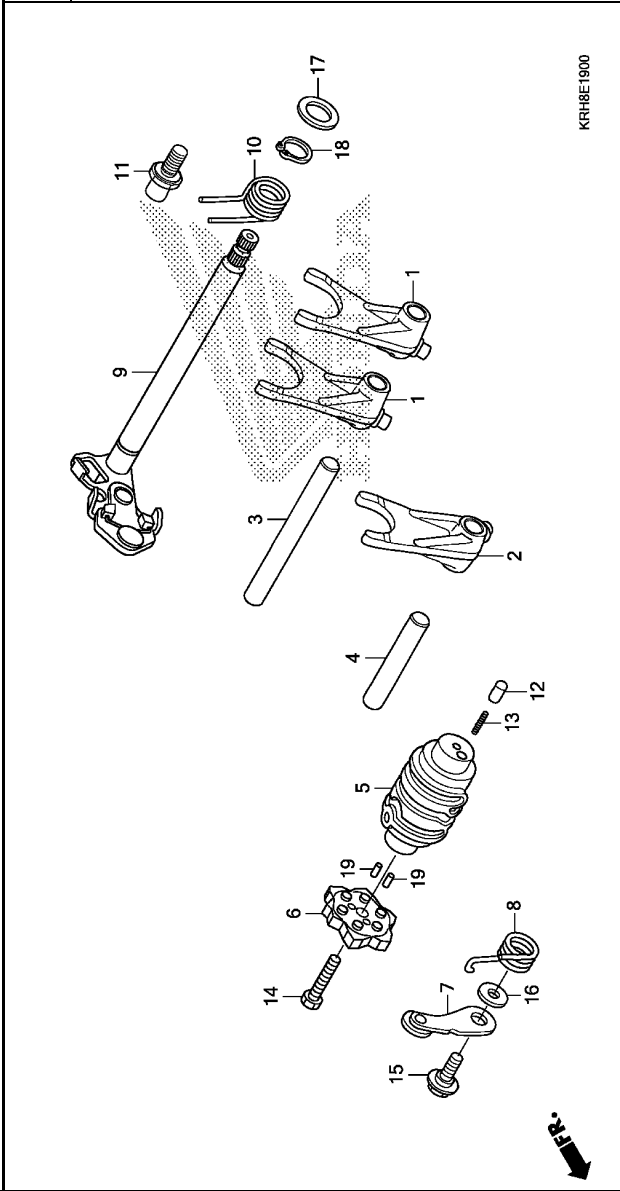


GEARSHIFT DRUM

E-19

Ref. No.	L.O.N.	(Relative ref. Number)	Description	F.R.T.
1	210112	(2)	FORK, GEARSHIFT -INCLUDES: Engine removal and installation -NOTE: Same time for two units or more	3.7
5	2101A9		DRUM, GEARSHIFT -INCLUDES: Engine removal and installation	3.7
6	2101D6		PLATE, GEARSHIFT DRUM STOPPER (8)	1.1
7	210125		STOPPER OR SPRING, SHIFT DRUM (10)	1.1
9	210122		SPINDLE, GEARSHIFT	1.0



Ref. No.	Part No.	Description	Reqd. QTY	Serial No.	Parts catalogue code
			XR150 LEK E		
1	24211-KTT-900	FORK, GEARSHIFT	2		
2	24212-KVX-600	FORK, CENTER GEARSHIFT	1		
3	24241-KRM-840	SHAFT A, GEARSHIFT FORK	1		
4	24242-KRM-840	SHAFT B, GEARSHIFT FORK	1		
5	24301-KRH-780	DRUM, GEARSHIFT	1		
6	24410-KTT-900	PLATE COMP., GEARSHIFT DRUM STOPPER	1		
7	24430-KRM-B10	STOPPER COMP., GEARSHIFT DRUM	1		
8	24436-KRM-840	SPRING, SHIFT DRUM STOPPER ..	1		
9	24610-KRM-840	SPINDLE COMP., GEARSHIFT	1		
10	24651-KRM-840	SPRING, GEARSHIFT RETURN	1		
11	24652-KRM-840	PIN, SHIFT RETURN SPRING	1		
12	35751-KPH-900	CAP, CHANGE SWITCH CONTACT ..	1		
13	35752-KRM-840	SPRING, CHANGE SWITCH CONTACT	1		
14	90003-KVS-900	BOLT, HEX., 6X20	1		
15	90022-KRM-840	PIVOT, SHIFT DRUM STOPPER ARM	1		
16	90417-KRM-840	WASHER, DRUM STOPPER	1		
17	90457-KRM-840	WASHER, 14MM	1		
18	94510-14000	CIRCLIP, EXTERNAL, 14MM	1		
19	96220-30085	ROLLER, 3X8.5	2		