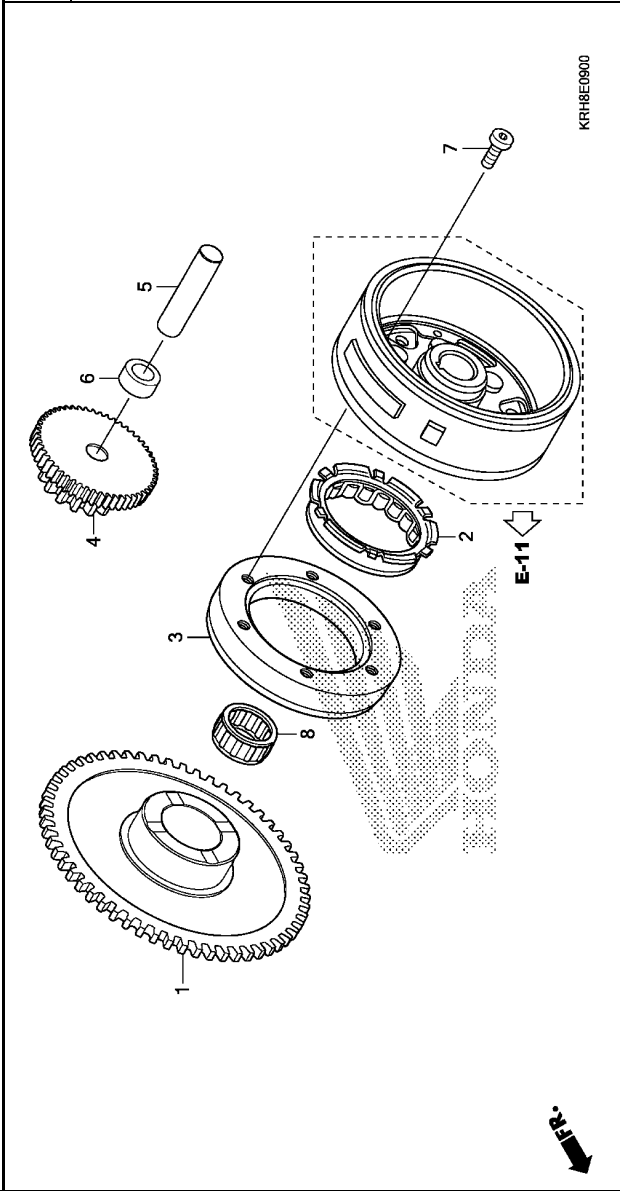


STARTING CLUTCH

E-9

Ref. No.	L.O.N.	(Relative ref. Number)	Description	F.R.T.
1	612120	(8) GEAR, STARTER DRIVEN	0.5
3	612131	(2) OUTER, STARTING CLUTCH	0.6
4	612125	GEAR, STARTER REDUCTION	0.3



Ref. No.	Part No.	Description	Reqd. QTY		Serial No.	Parts catalogue code
			XR150	LEK		
1	28110-KTT-901	GEAR, STARTER DRIVEN(58T) ...	1			
2	28126-MN4-004	CLUTCH, ONE WAY(NIPPON SEIKO)	1			
3	28128-KVC-900	OUTER, STARTING CLUTCH	1			
4	28131-KTT-900	GEAR, STARTER REDUCTION (15/53T)	1			
5	28132-KN6-930	SHAFT, REDUCTION GEAR	1			
6	28133-KRM-850	COLLAR, STARTER REDUCTION ...	1			
7	90085-KTT-900	BOLT, SOCKET, 6MM	6			
8	91104-KTT-901	BEARING, NEEDLE, 22X29X16.8 .	1			