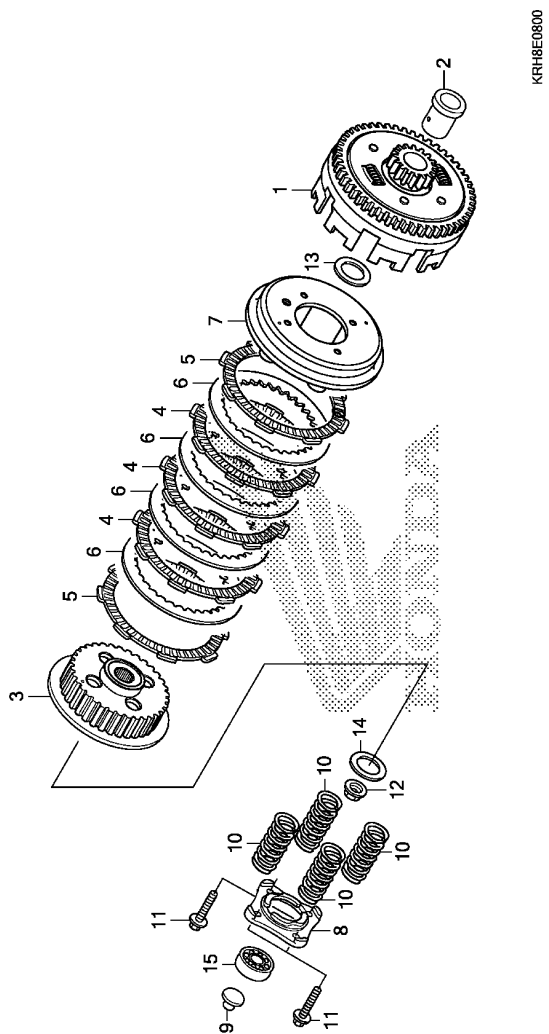


CLUTCH

Ref. No.	L.O.N.	(Relative ref. Number)	Description	F.R.T.
1	2121A0		OUTER, CLUTCH	1.0
3	212112		CENTER, CLUTCH	1.0
4	2121A1		DISC, CLUTCH FRICTION	1.0
			-NOTE: Same time for two units or more	
7	2121A3		PLATE, CLUTCH PRESSURE	1.0
8	2121A4		PLATE, CLUTCH LIFTER	0.7
9	2121B6		ROD, CLUTCH LIFTER	0.6
10	212107		SPRING, CLUTCH	0.7
			-NOTE: Same time for two units or more	
15	2121B4		BEARING, CLUTCH LIFTER	0.6



F.R.T.

Ref. No.	Part No.	Description	Reqd. QTY	Serial No.	Parts catalogue code
1	22100-KWK-900	OUTER COMP., CLUTCH	1		
2	22115-KSP-910	GUIDE, CLUTCH OUTER	1		
3	22120-KTT-900	CENTER, CLUTCH	1		
4	22201-KTT-900	DISK, CLUTCH FRICTION	3		
5	22202-KTT-900	DISK, CLUTCH FRICTION	2		
6	22321-KTT-900	PLATE, CLUTCH	4		
7	22355-KTT-900	PLATE, CLUTCH PRESSURE	4		
8	22361-KTT-900	PLATE, CLUTCH LIFTER	1		
9	22366-KRM-840	ROD, CLUTCH LIFTER	1		
10	22401-KRM-840	SPRING, CLUTCH	4		
11	90008-KTT-900	BOLT, FLANGE, 6X25	4		
12	90202-KRM-840	NUT, SPECIAL FLANGE, 14MM	1		
13	90405-KTT-900	WASHER, PLAIN, 17MM	1		
14	90501-KPT-A00	WASHER, 14.1X29X2.8	1		
15	96100-60030-00	BEARING, RADIAL BALL, 6003	1		