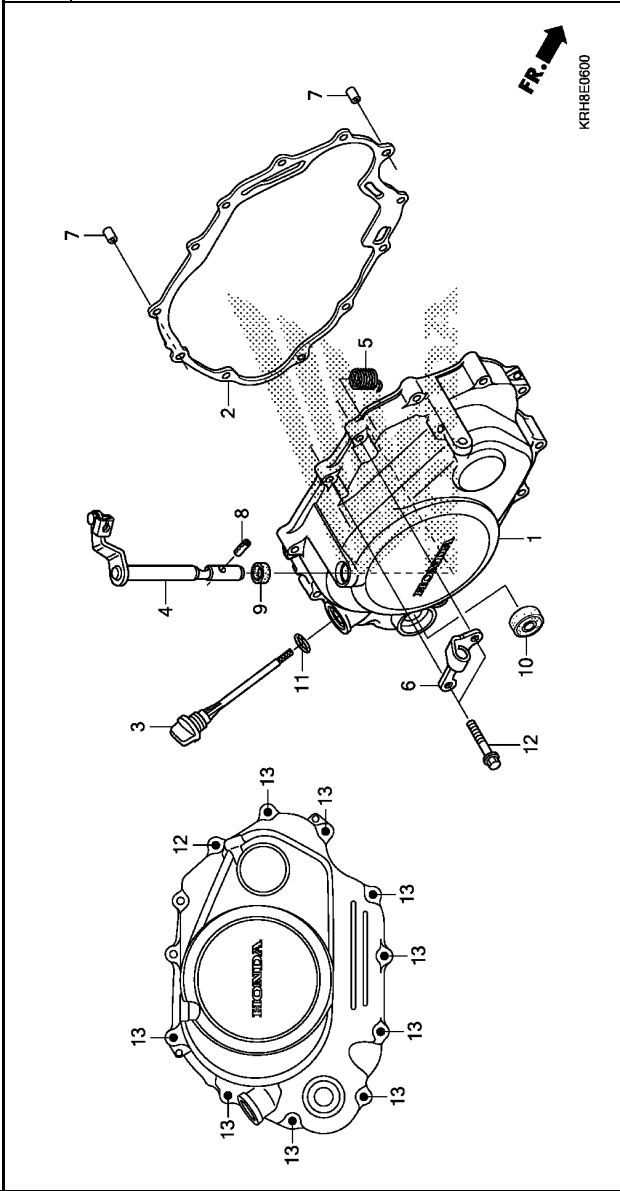


RIGHT CRANKCASE COVER

Ref. No.	L.O.N.	(Relative ref. Number)	Description	F.R.T.
1	110159		COVER, CRANKCASE :RIGHT	0.7
2	110158		GASKET, CRANKCASE COVER :RIGHT	0.6
4	2121A7	(5)	LEVER, CLUTCH	0.7
10	112105		OIL SEAL, KICK STARTER SPINDLE	0.6



Ref. No.	Part No.	Description	Reqd. QTY	Serial No.	Parts catalogue code
1	11330-KWK-900	COVER COMP., R. CRANKCASE	1		
2	11393-KWK-900	GASKET, R. CRANKCASE COVER	1		
3	15651-KPT-A00	GAUGE, OIL LEVEL	1		
4	22810-KRM-B00	LEVER COMP., CLUTCH	1		
5	22815-KTT-900	SPRING, CLUTCH LEVER	1		
6	22821-KRM-840	RECEIVER, CLUTCH CABLE	1		
7	90702-KRM-840	DOWEL PIN, 8X14	2		
8	90703-KRH-900	PIN, SPRING, 3X10	1		
9	91202-KSP-910	OIL SEAL, 12X18X4	1		
10	91204-KSP-911	OIL SEAL, 16X28X7	1		
11	91307-KRM-840	O-RING, 18X3	1		
12	96001-06030-00	BOLT, FLANGE, 6X30	3		
13	96001-06040-00	BOLT, FLANGE, 6X40	9		