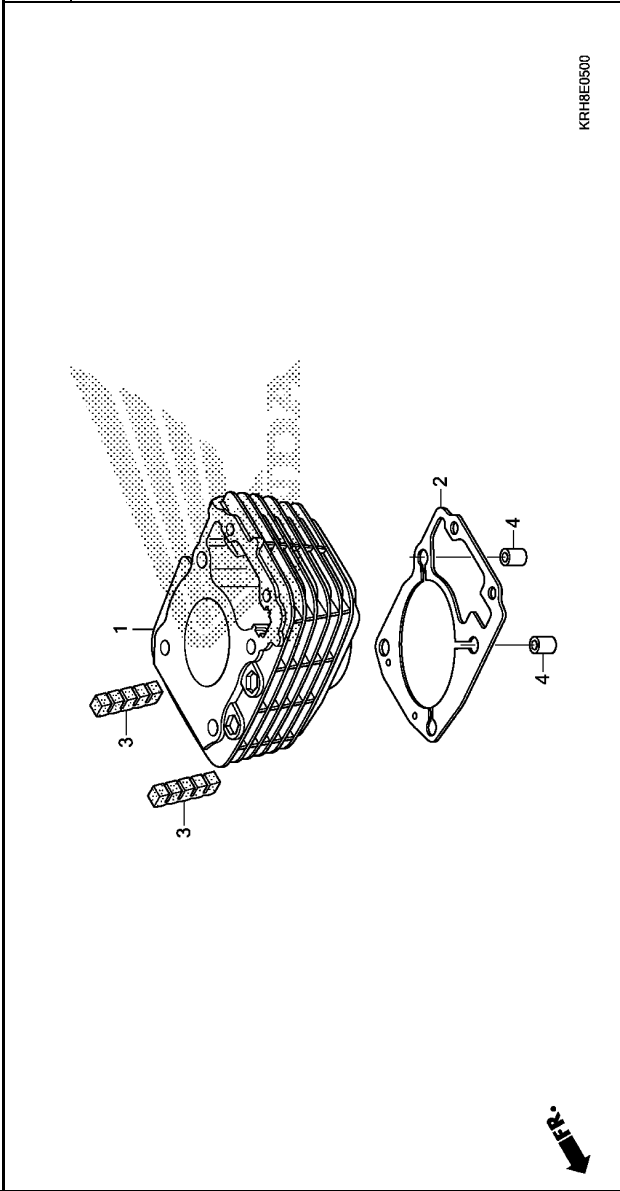


**CYLINDER**

Ref. No.	L.O.N.	(Relative ref. Number)	Description	F.R.T.
1	1111A5	CYLINDER	.....	1.7
2	111102	GASKET, CYLINDER	.....	1.6



**F.R.** →

Ref. No.	Part No.	Description	Reqd. QTY	Serial No.	Parts catalogue code
1	12100-KRH-650	CYLINDER COMP.	XR150		
2	12191-KWK-900	GASKET, CYLINDER	LEK		
3	12195-KTE-910	RUBBER, INSERT	E		
4	90703-KRM-840	DOWEL PIN, 10X12	1		
			1		
			2		
			2		