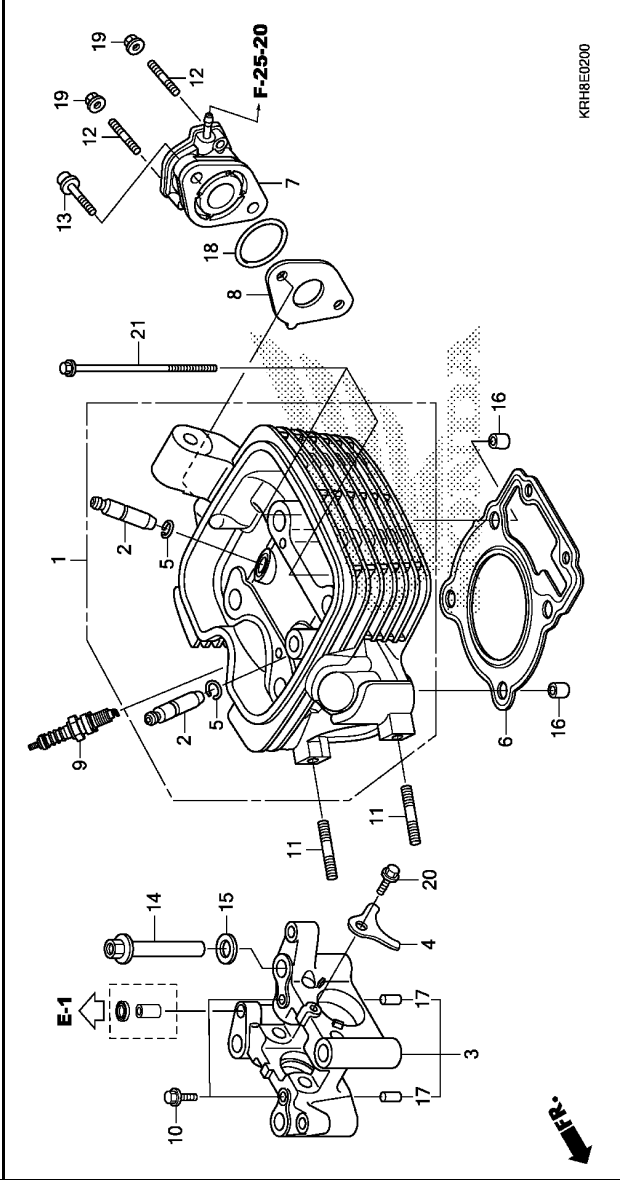


Ref. No.	L.O.N.	(Relative ref. Number)	Description	F.R.T.
1	111106		HEAD, CYLINDER -INCLUDES: Valve adjust and reface	2.2
2	1111L9		GUIDE, INTAKE VALVE(ONE) -INCLUDES: Reaming -INCLUDES: Valve adjust and reface	2.2
	1111M0		GUIDE, EXHAUST VALVE(ONE) -INCLUDES: Reaming -INCLUDES: Valve adjust and reface	2.2
	1111M9		GUIDE, VALVE :FOR 1 VEHICLE -INCLUDES: Reaming -INCLUDES: Valve adjust and reface	2.5
3	1111B4		HOLDER, CAMSHAFT	0.9
6	111115		GASKET, CYLINDER HEAD (8,18)	1.4
7	311131		INSULATOR, THROTTLE BODY/ CARBURETOR	0.5
9	614130		PLUG, SPARK	0.1



Ref. No.	Part No.	Description	Reqd. QTY	Serial No.	Parts catalogue code
			XR150 LEK E		
1	12200-KRH-650	HEAD COMP., CYLINDER	1		
2	12204-KRM-305	GUIDE, VALVE(O.S.)	2		
3	12210-KVX-600	HOLDER COMP., CAMSHAFT	1		
4	12212-KRM-840	PLATE, STOPPER	1		
5	12213-KRM-840	CLIP, VALVE GUIDE	2		
	12213-KTT-900	2		
6	12251-KRM-872	GASKET, CYLINDER HEAD	1		
	12252-KVS-306	GASKET, CYLINDER HEAD(OS)	(1)		
7	16210-KRH-650	INSULATOR, CARBURETOR	1		
8	16214-KRH-650	GASKET, CARBURETOR INSULATOR	1		
9	31916-KRM-841	PLUG, SPARK(CPR8EA-9)(NGK)	1		
	31926-KRM-841	PLUG, SPARK(CPR9EA-9)(NGK)	(1)		
10	90002-KRM-840	BOLT, FLANGE, 5X14	2		
11	90035-KRM-840	BOLT, STUD, 8X22	2		
12	90035-KWK-900	BOLT, STUD, 6X19	2		
13	90091-KRM-840	BOLT, FLANGE SOCKET, 6X22	2		
14	90306-KRM-840	NUT, CYLINDER HEAD	4		
15	90404-KPT-A00	WASHER, PLAIN, 12MM	4		
16	90703-KRM-840	DOWEL PIN, 10X12	2		
17	90704-KRM-840	DOWEL PIN, 6X10	2		
18	91304-KRM-840	O-RING, 33.5X3.0	1		
19	94050-06000	NUT, FLANGE, 6MM	2		
20	95701-06014-00	BOLT, FLANGE, 6X14	1		
21	95801-06105-00	BOLT, FLANGE, 6X105	2		