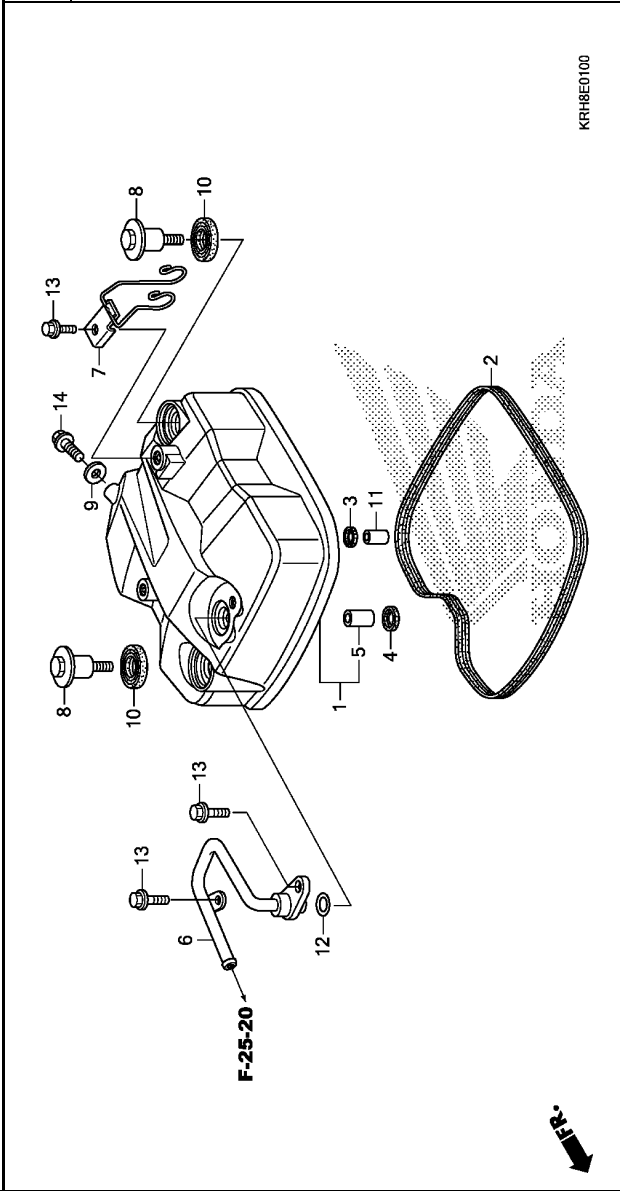


E-1

CYLINDER HEAD COVER

D 1

Ref. No.	L.O.N.	(Relative ref. Number)	Description	F.R.T.
1	1111C4		COVER, CYLINDER HEAD	0.3
2	1111D2		GASKET, CYLINDER HEAD COVER	0.3
6	3111D1		PIPE, SECONDARY AIR	0.3



Ref. No.	Part No.	Description	Reqd. QTY	Serial No.	Parts catalogue code
1	12310-KWK-901	COVER COMP., CYLINDER HEAD	1		
2	12391-KRM-840	GASKET, HEAD COVER	1		
3	12396-KRM-840	GASKET B, HEAD COVER	1		
4	12397-KWG-601	GASKET C, HEAD COVER	1		
5	12397-KYE-901	GASKET C, HEAD COVER (ARAI)	1		
6	12398-KWK-900	COLLAR, 10MM	1		
7	18640-KRH-A00	PIPE COMP., AIR FEED	1		
8	90003-KFG-000	BOLT, L. CRANKCASE COVER	2		
9	90463-KRM-840	WASHER, SEALING, 6.2X12X1.2	1		
10	90543-MV9-670	RUBBER, MOUNTING	2		
11	90702-KRM-840	DOWEL PIN, 8X14	1		
12	91309-KVX-A00	O-RING, 9.8X2.8	1		
13	91309-MJ0-003	O-RING, 9.8X2.8 (ARAI)	1		
14	96001-06016-00	BOLT, FLANGE, 6X16	3		
	96001-06012-00	BOLT, FLANGE, 6X12	1		