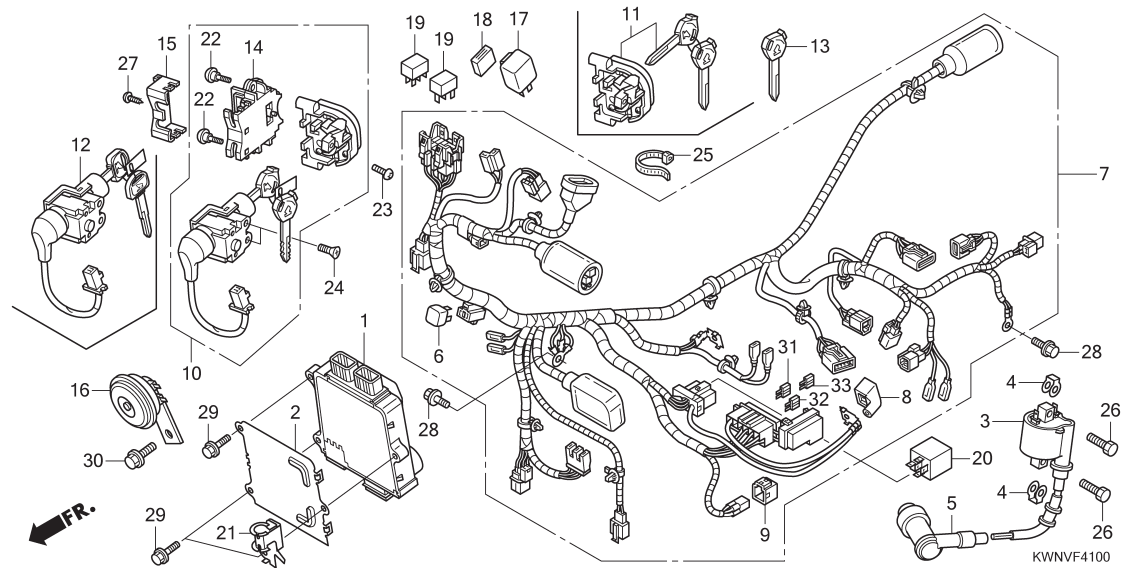


# F - 41 Wire Harness



Ref (Relative ref. Number) No. Description	F.R.T.	Ref No.	Part No.	Description	QTY	Notes
		26	92101-06020-4J	BOLT, HEX., 6X20.....	2	
		27	93901-24320	SCREW, TAPPING, 4X12.....	1	
		28	95701-0601200	BOLT, FLANGE, 6X12.....	2	
		29	95701-0601600	BOLT, FLANGE, 6X16.....	3	
		30	95701-0801200	BOLT, FLANGE, 8X12.....	1	
		31	98200-41000	FUSE, MINI(10A).....	5	
		32	98200-41500	FUSE, MINI(15A).....	2	
		33	98200-43000	FUSE, MINI(30A).....	2	