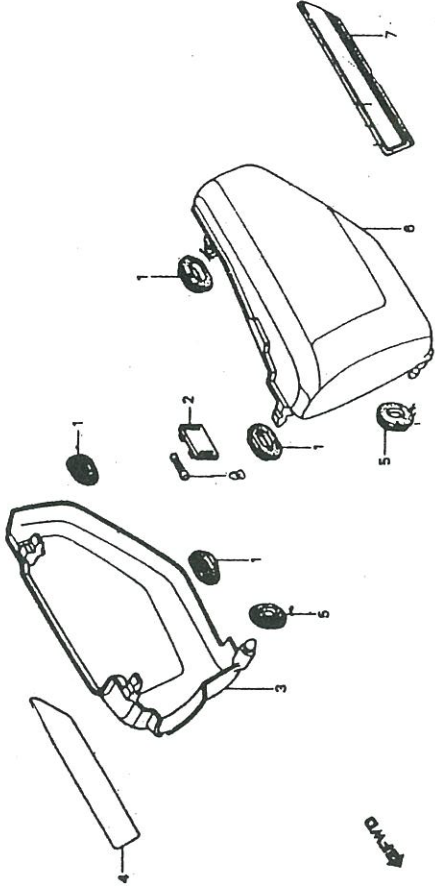


F - 11

SIDE COVER



Service item	F.R.T.
COVER SUB ASSY., R. SIDE	0.1
.COVER SUB ASSY., L. SIDE	

REF. PART NO.	DESCRIPTION	REQ'D. NO. OLD	REQ'D. NO. NEW	REF. PART NO.	DESCRIPTION	REQ'D. NO. OLD	REQ'D. NO. NEW
1	GROMMET A. AIR CLEANER	4	4				
2	CASE, FUSE	1	1				
3	COVER R. SIDE RED	1	1				
	COVER R. SIDE BLUE	1	1				
	COVER R. SIDE BLACK	1	1				
4	COVER R. SIDE BLACK	1	1				
	COVER R. SIDE BLUE	1	1				
	COVER R. SIDE RED	1	1				
5	STRIPES, SIDE COVER BLUE R.	1	1				
	STRIPES, SIDE COVER BLUE L.	1	1				
	STRIPES, SIDE COVER BLACK R.	1	1				
	STRIPES, SIDE COVER BLACK L.	2	2				
6	GROMMET AIR CLEANER CASE	1	1				
	COVER L. SIDE RED	1	1				
	COVER L. SIDE BLUE	1	1				
	COVER L. SIDE BLACK	1	1				
7	STRIPES, SIDE COVER RED L.	1	1				
	STRIPES, SIDE COVER RED R.	1	1				
	STRIPES, SIDE COVER BLUE L.	1	1				
	STRIPES, SIDE COVER BLUE R.	1	1				
8	STRIPES, SIDE COVER BLACK L.	1	1				
	STRIPES, SIDE COVER BLACK R.	1	1				
	FUSE (7A)	1	1				