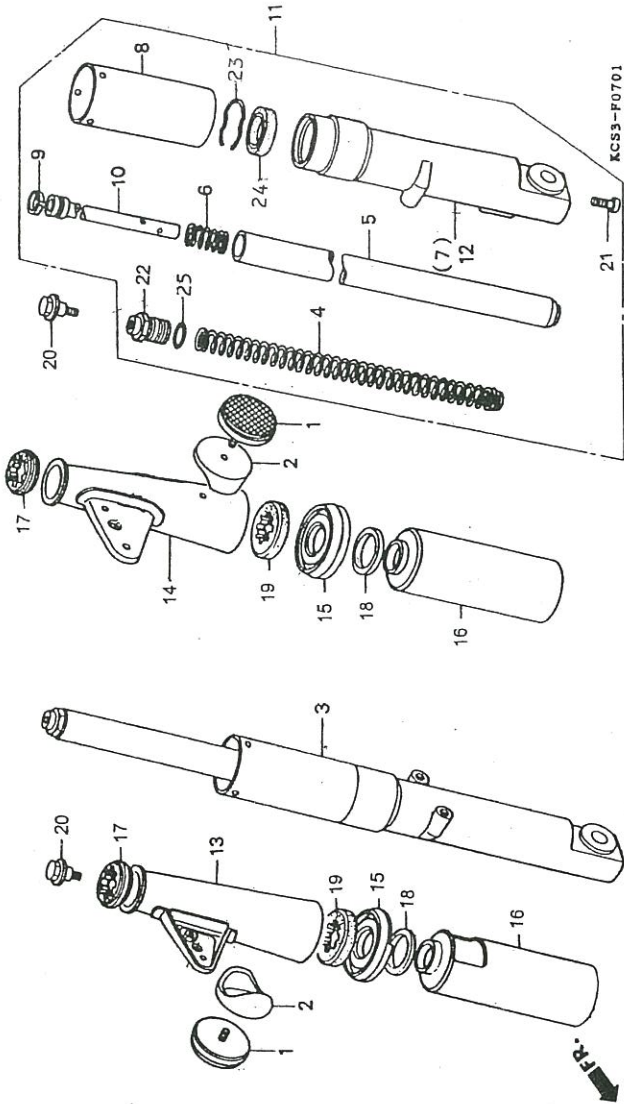


F - 6

FRONT FORK NEW

Service item	F.R.T.
FORK ASSY., FR.	0.4
(ADD 0.1 FOR EACH.)	
SPRING, FR. FORK.....	0.5
(ADD 0.2 FOR EACH)	
PIPE COMP., FR. FORK	0.7
(ADD 0.4 FOR EACH.)	
OIL SEAL, FR. FORK	0.8
(ADD 0.4 FOR EACH.)	
CASE, FR. BOTTOM	0.8
(ADD 0.5 FOR EACH.)	
COVER, FR. FORK UPPER	0.6
(ADD 0.1 FOR EACH.)	
COVER, FR. FORK UNDER	0.6
(ADD 0.1 FOR EACH.)	



REF. NO.	PART NO.	DESCRIPTION	REQ'D. NO. NEW	REF. NO.	PART NO.	DESCRIPTION	REQ'D. NO. NEW
1	33741-331-000	REFLECTOR, FR. REFLEX	2	17	51615-397-890-7A	COVER, R. FR. FORK UNDER BLACK	2
2	33744-089-670	BASE, FR. REFLECTOR	2	18	51622-107-000	MOUNT, FORK COVER UPPER	2
3	51400-KCS-651	FORK ASSY., R. FR.	1	19	51622-107-000	PACKING, FR. FORK RIB	2
4	51401-KY0-981	SPRING, FR. FORK	2	20	90112-KCS-650	MOUNT, FORK COVER UNDER	2
5	51410-KY0-681	PIPE COMP., FR. FORK	2	21	90116-383-721	BOLT, FR. FORK	2
6	51412-383-721	SPRING REBOUND	2	22	90123-198-003	BOLT, SOCKET, 8MM	2
7	51420-KCS-651	CASE, R. FR. BOTTOM	1	23	90601-383-721	BOLT, FORK	2
8	51421-KY0-681	COVER BOTTOM CASE	2	24	90756-149-841	RING, OIL SEAL STOPPER	2
9	51437-383-721	RING, PISTON	2	25	91256-166-003	OIL SEAL, FR. FORK	2
10	51470-KY0-981	PIPE SEAT	2			O-RING	2
11	51500-KCS-651	FORK ASSY, L. FR.	1				
12	51520-KCS-651	CASE, L. FR. BOTTOM	1				
13	51602-KE2-880-7B	COVER R. FR. FORK UPPER RED	1				
	51602-KE2-880-ZC	COVER R. FR. FORK UPPER BLUE	1				
	51602-KE2-880-7A	COVER R. FR. FORK UPPER BLACK	1				
14	51606-KE2-880-ZB	COVER L. FR. FORK UPPER RED	1				
	51606-KE2-880-ZC	COVER L. FR. FORK UPPER BLUE	1				
15	51606-KE2-880-7A	COVER L. FR. FORK UPPER BLACK	1				
	51608-229-000	RIB, FR., FORK	2				
16	51615-397-890-7B	COVER R. FR. FORK UNDER RED	2				
	51615-397-890-ZC	COVER R. FR. FORK UNDER BLUE	2				