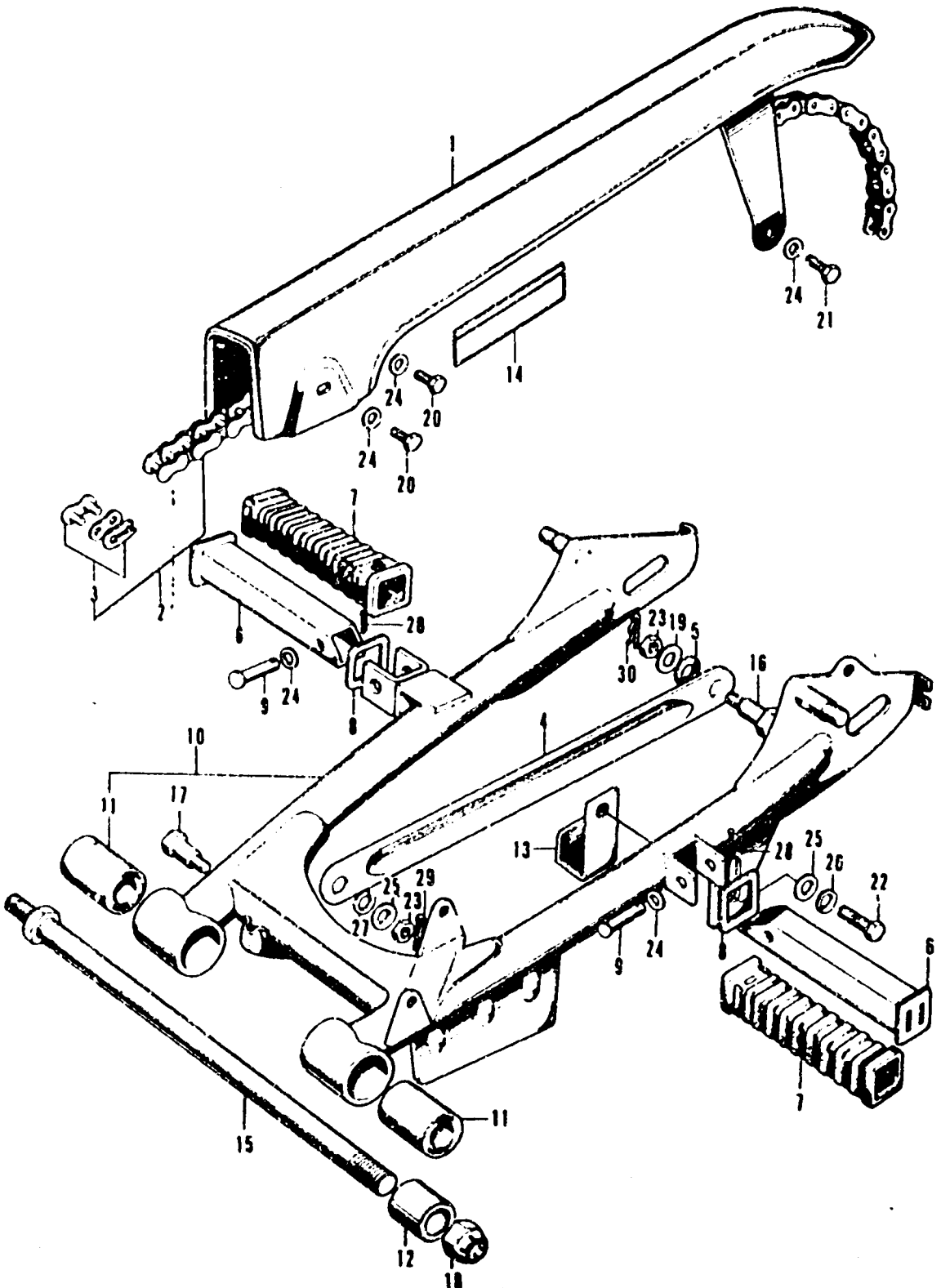


F-15 Rear Fork - Chain Case (Used in France)



F-15 Rear Fork - Chain Case (Used in France)



Ref. No.	Part No.	Description	Reqd. No. SL125	Remarks
1	40510-110-010	CASE, drive chain	1	
2	40530-331-001	CHAIN, drive (DK428H-106L) (DAIDO).....	1	
3	40531-028-001	JOINT, drive chain (DAIDO)	1	
4	43431-107-010	ARM, rear brake stopper	1	
5	43434-286-000	RUBBER, stopper arm cushion	1	
6	50701-024-010	BAR, pillion step	2	
7	50731-024-000 95011-31000	(Superseded by 95011-31000) RUBBER, pillion step.....	2	
8	50712-024-000 95015-91000	(Superseded by 95015-91000) WASHER, pillion step	2	
9	50715-024-000	PIN, pillion step	2	
10	52100-331-000AU	FORK COMP., rear (Cl. ud silver).....	1	
11	52108-028-000	BUSH, rear fork pivot rubber.....	2	
12	52145-331-000	COLLAR, rear fork pivot bolt distance	1	
13	52156-74-000	GUIDE, chain	1	
14	87507-331-020	MARK, tire caution (Used in France)	1	SL125S 10.07.303~
15	90121-331-000	BOLT, rear fork pivot	1	
16	90127-001-010	BOLT, rear brake torque	1	
17	90133-028-010	BOLT, rear brake stopper arm	1	
18	90353-045-000	NUT, self lock, 12 mm	1	
19	90524-030-000	WASHER A, handle holder setting	1	
20	92000-06006	BOLT, hex., 6x6	2	
21	92000-06012	BOLT, hex., 6x12	1	
22	92000-08016-0A	BOLT, hex., 8x16	1	
23	94000-08000	NUT, hex., 8 mm	2	
24	94101-06000	WASHER, plain, 6 mm	5	
25	94101-08000	WASHER, plain, 8 mm	2	
26	94111-08000	WASHER, spring, 8 mm	1	
27	94111-10000	WASHER, spring, 10 mm	1	
28	94201-16150	PIN, split, 1.6x15	2	
29	94201-20150	PIN, split, 2.0x15	1	
30	94231-08000	PIN, lock, 8 mm	1	