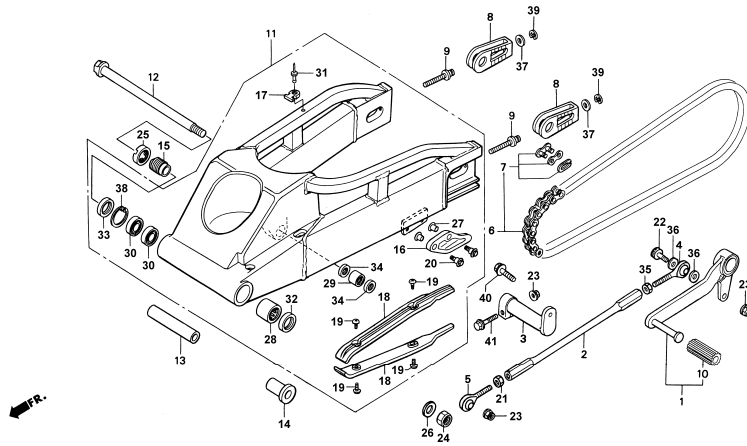


Block No.

F-12
GEAR SHIFT PEDAL
(CHANGE PEDAL) /
REAR SWINGARM
 2003 RS125R
 2004 RS125R



Ref. No.	Part No.	Description	Reqd. No. '03 '04	Remarks
20	90110-GE0-710	BOLT, FLANGE, 6MM.....	2 2	
21	90201-KV3-700	NUT, TIE ROD B.....	1 1	
• 22	90211-NX4-771	BOLT, SOCKET, 6X25.....	1 1	
23	90301-473-003	U-NUT, 6MM.....	3 3	
24	90305-KZ4-891	U-NUT, 18MM.....	1 1	
• 25	90355-NX4-000	NUT, SWING ARM PIVOT.....	1 1	
26	90401-KZ4-890	WASHER, 18X32X2.....	1 1	
27	90522-028-000	WASHER, CHAIN CASE SETTING.....	2 2	
28	91071-MR7-003	BEARING, NEEDLE.....	1 1	
29	91071-MY1-005	BEARING, NEEDLE, 17X24X17.....	1 1	
30	91072-MR7-003	BEARING, BALL RADIAL, 20X37X9.....	2 2	
• 31	91080-NF5-710	RIVET, 4,0X8,6.....	1 1	
32	91202-MR7-003	DUST SEAL, 28X37X4.....	1 1	
33	91214-MR7-003	DUST SEAL, 26X37X5.....	1 1	
34	91262-KV3-831	DUST SEAL, 17X24X5.....	2 2	
35	94001-06200-0S	NUT, HEX, 6MM.....	1 1	
36	94101-06000	WASHER, PLAIN, 6MM.....	2 2	
37	94102-08000	WASHER, PLAIN, 8MM.....	2 2	
38	94520-37000	CIRCLIP, INTERNAL 37.....	1 1	